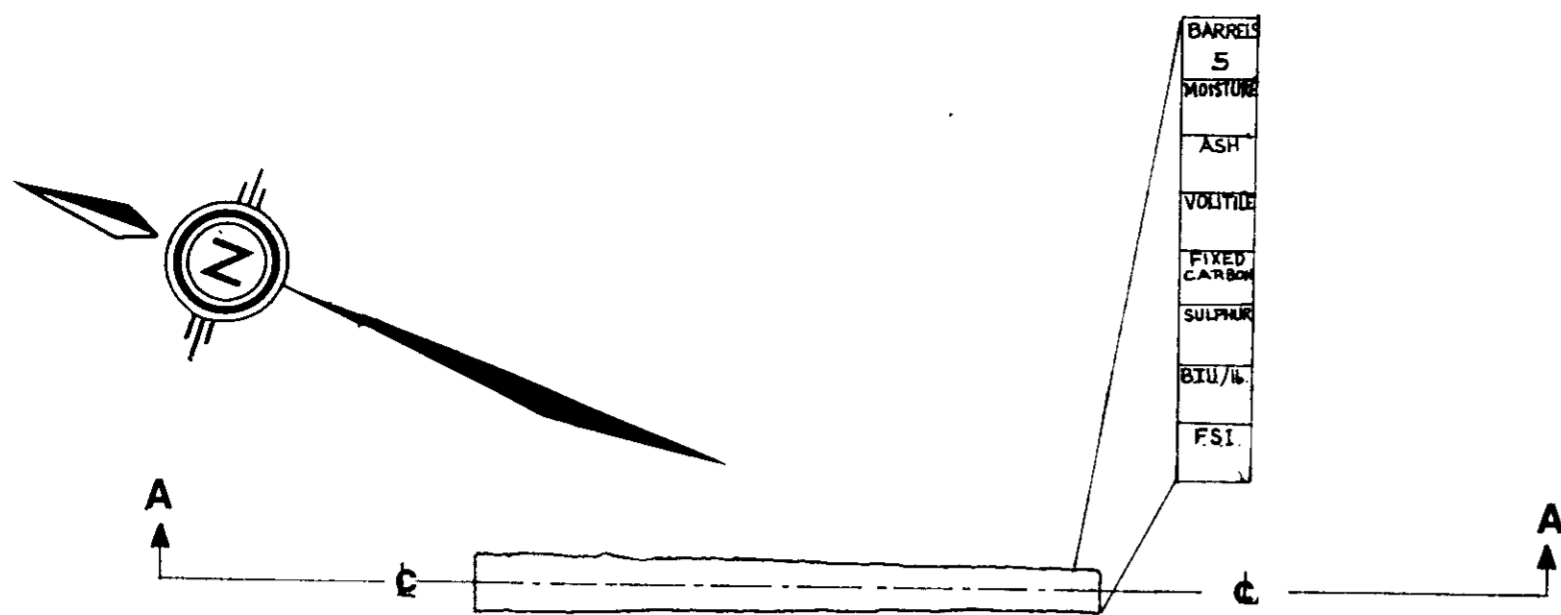
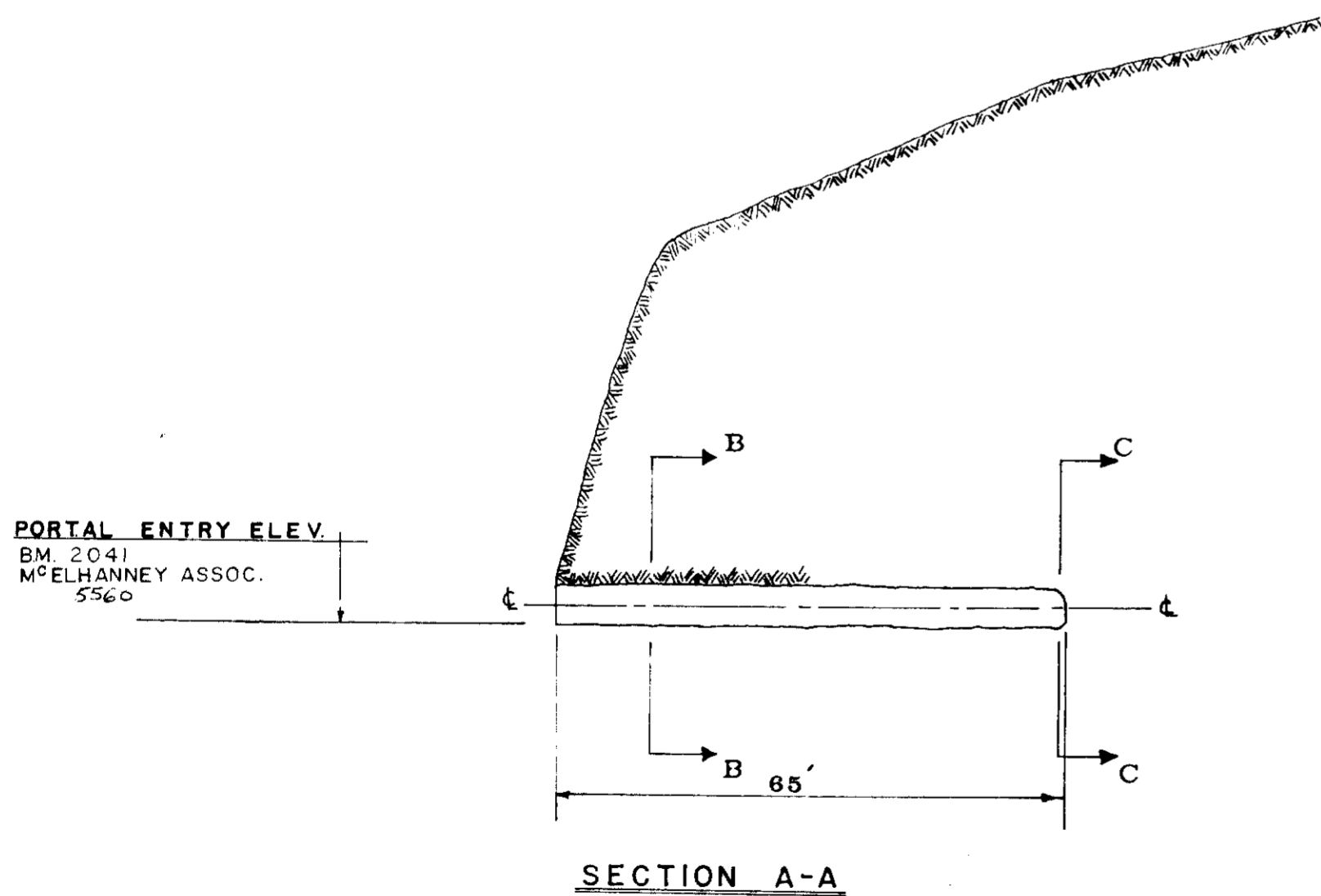


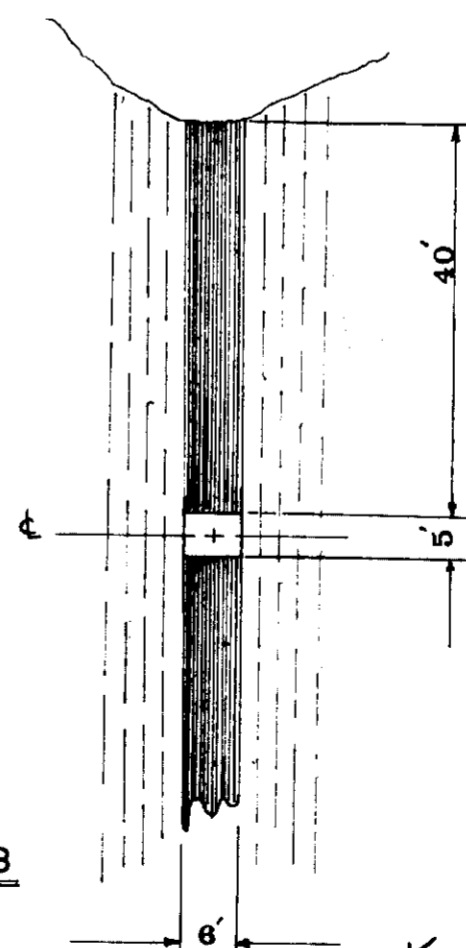
COAL CREEK



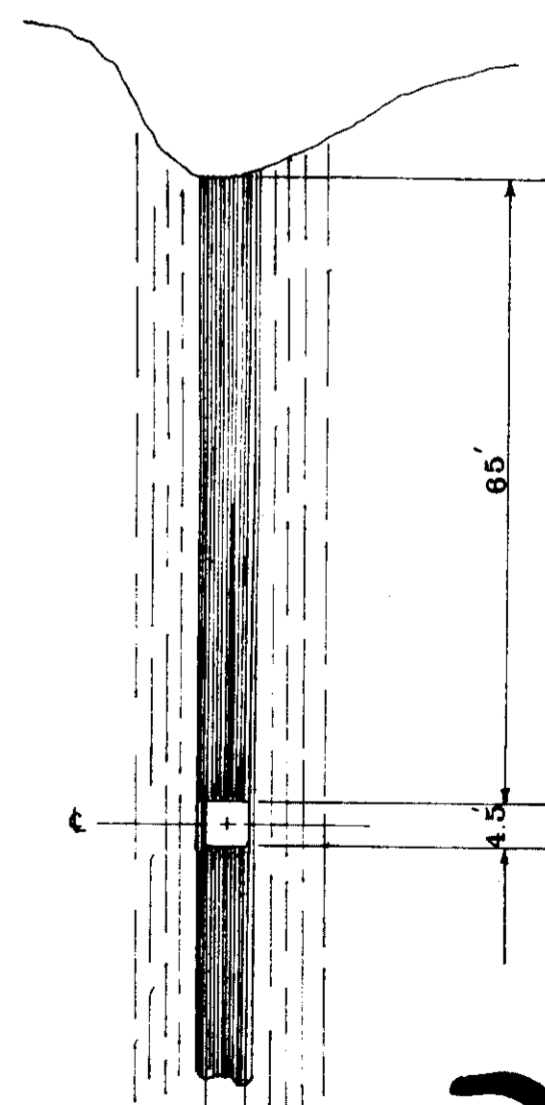
PLAN  
S.R.O. , 1969



SECTION A-A



SECTION B-B



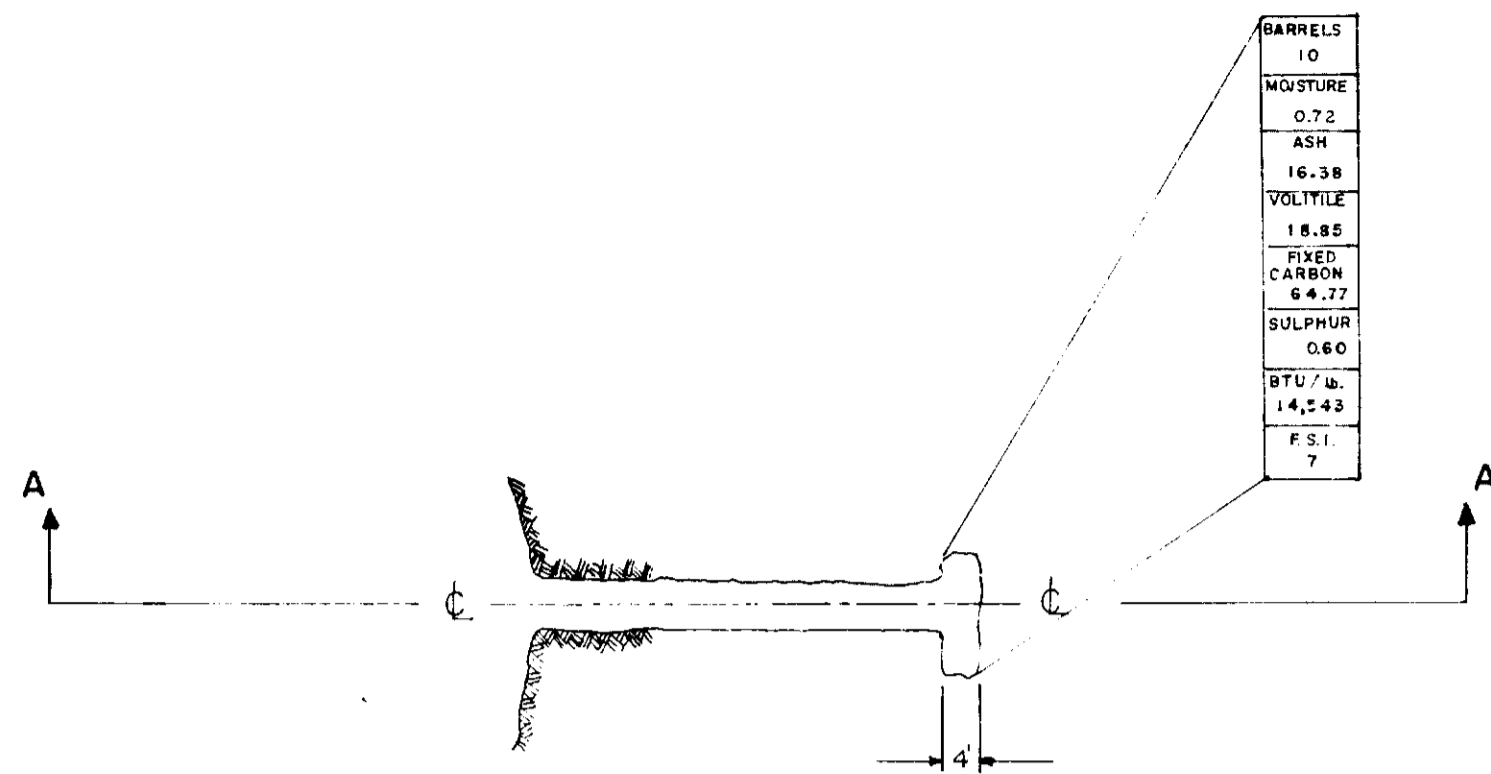
SECTION C-C

K- ELK RIVER 69 (2) 13

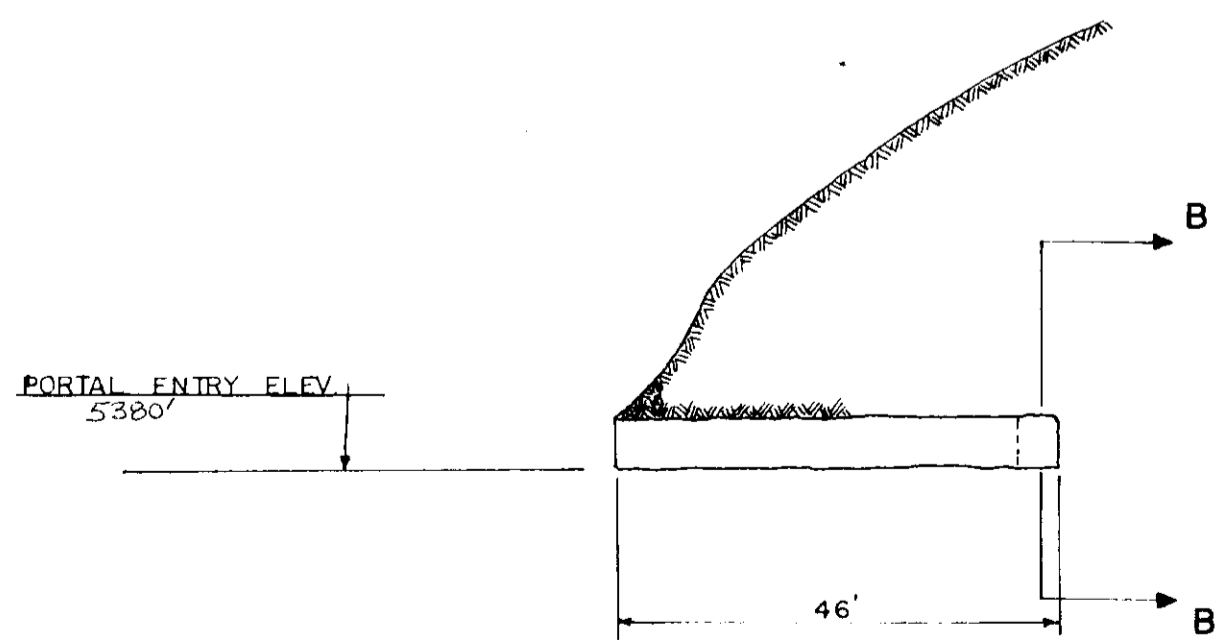
266

DRAWN RFV.	SCALE 1" = 20'	SCURRY-RAINBOW OIL LTD. ELK RIVER COAL COAL CREEK AREA ELK RIVER, B.C.	ADIT NO. 1
TRACED	DATE NOV. '69		PLAN & SECTIONS
APPROVED			FILE NO. NM 231-4-45

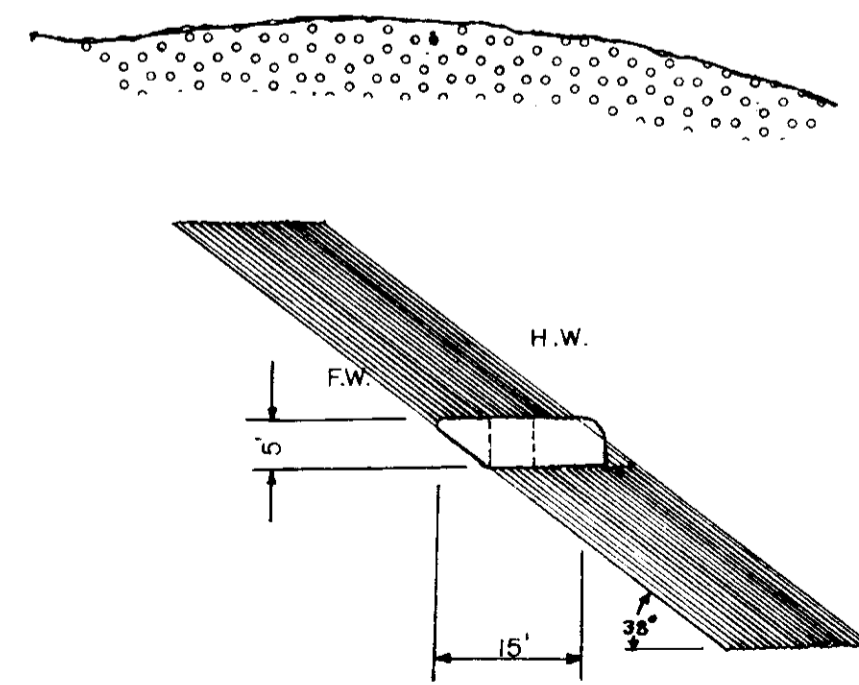
2



PLAN - ADIT N<sup>o</sup> 2  
( NACCO, 1968 )



SECTION A-A

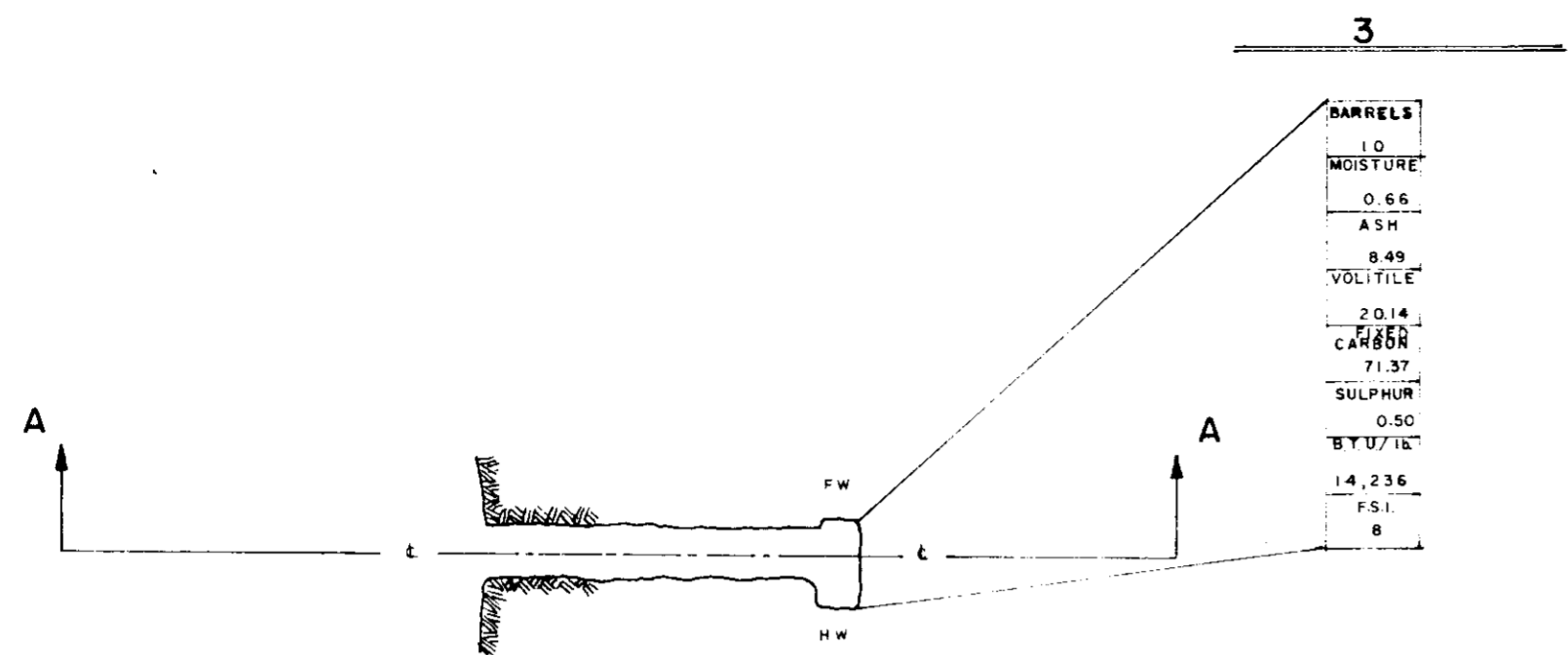


SECTION B-B K-ELK RIVER 69(2)B.

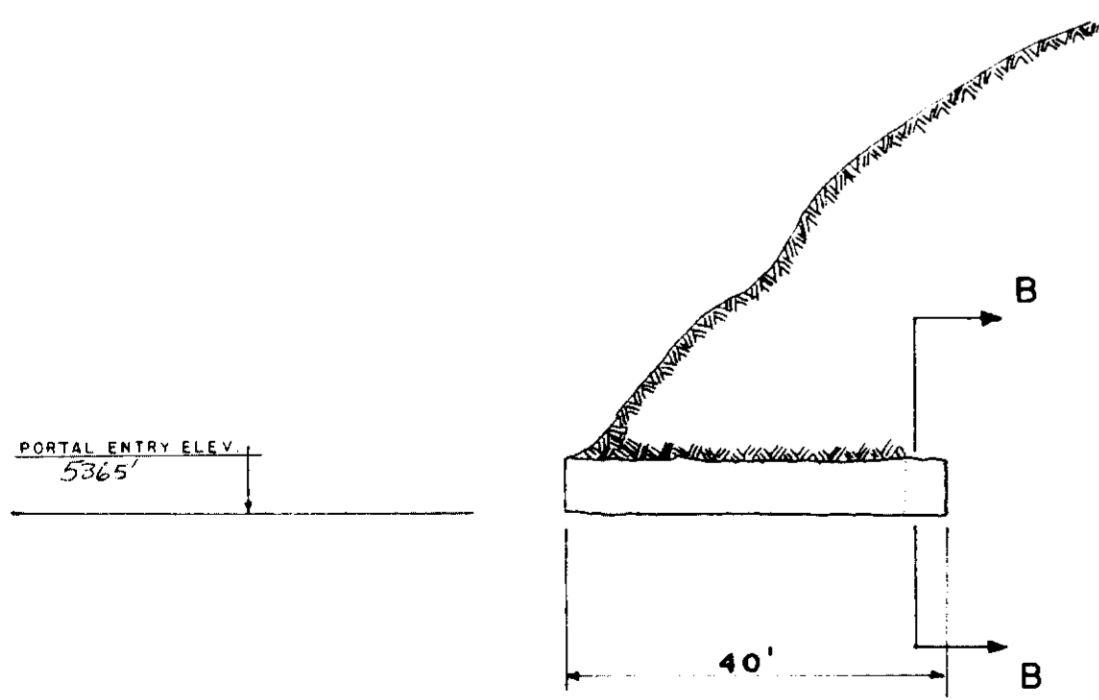
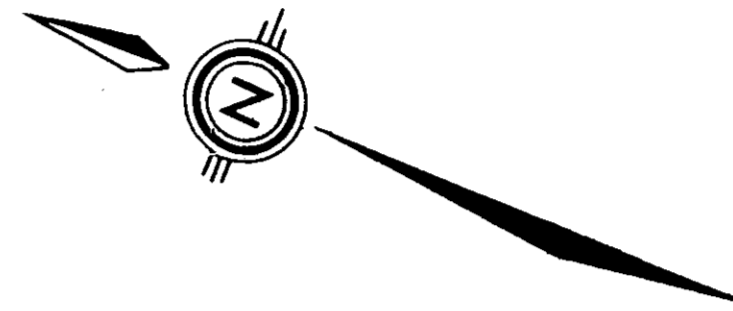
- SAMPLING NOTES
1. F.W. - 2 barrels
  2. 3.5' - 10.5' = 8 barrels
  3. 10.5' - H.W. - not sampled
- TOTAL = 10 barrels

266

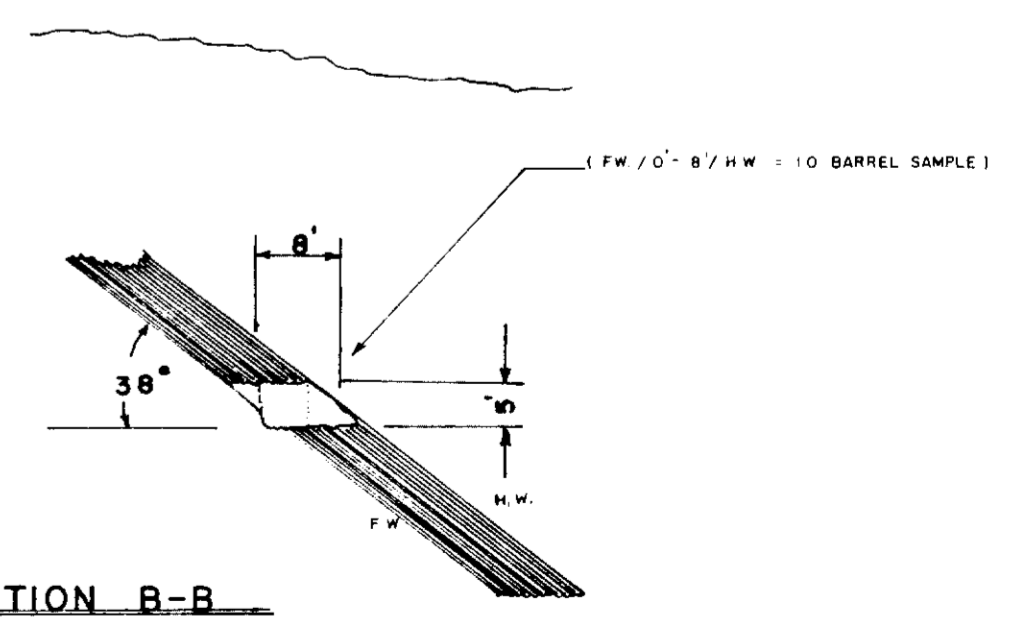
DRAWN R.F.V.	SCALE 1" = 20'	<b>SCURRY-RAINBOW OIL LTD.</b> ELK RIVER COAL WEARY CREEK AREA ELK RIVER, B.C.	ADIT N <sup>o</sup> 2
TRACED	DATE NOV., 1969		PLAN & SECTIONS
APPROVED			FILE NO. NM 231 - 4 - 42



PLAN  
( NACCO , 1968 )



SECTION A-A

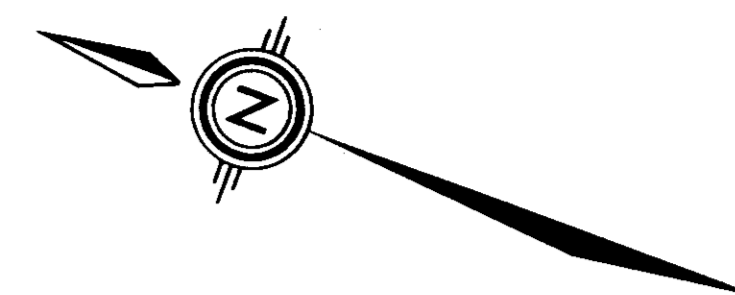


SECTION B-B

266

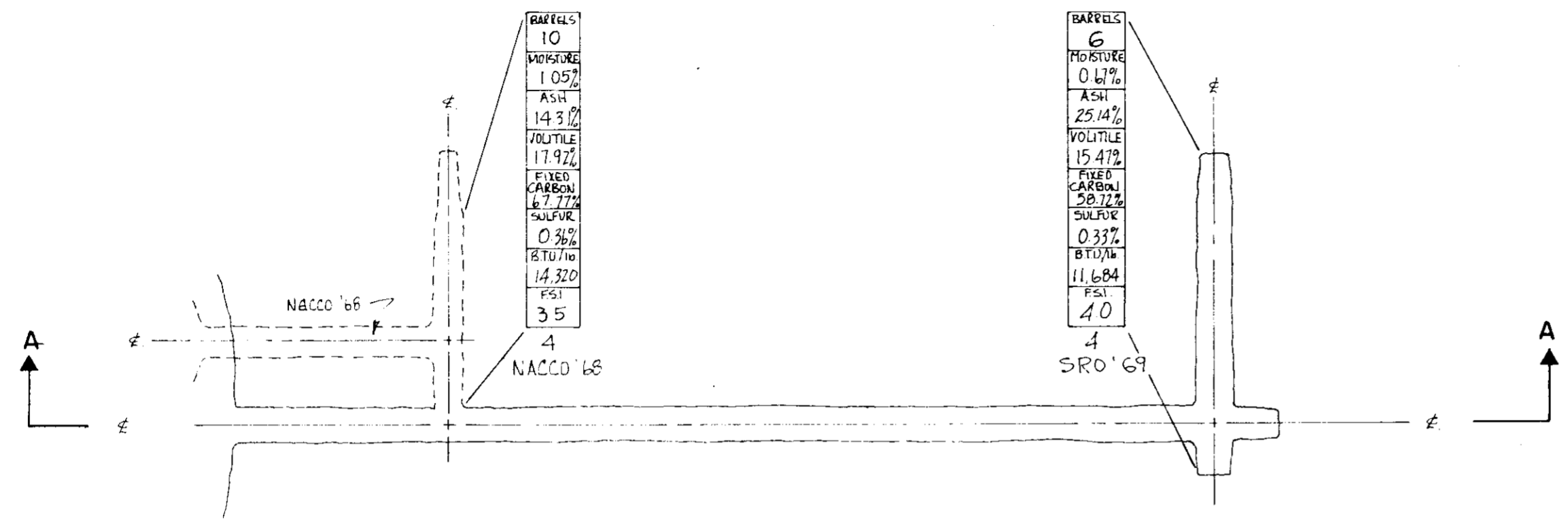
K-ELK RIVER 69 (2) B.

DRAWN R.F.V.	SCALE 1" = 20'	<b>SCURRY-RAINBOW OIL LTD.</b> ELK RIVER COAL WEARY CREEK SOUTH AREA ELK RIVER, B.C.	N <sup>o</sup> . 3 ADIT
TRACED	DATE NOV. , 1969		PLAN & SECTIONS
APPROVED			FILE NO. NM 231 - 4 - 41



2"x20 MESH: F.S.I.  
 20x100 MESH: F.S.I.  
 100 MESH: F.S.I.

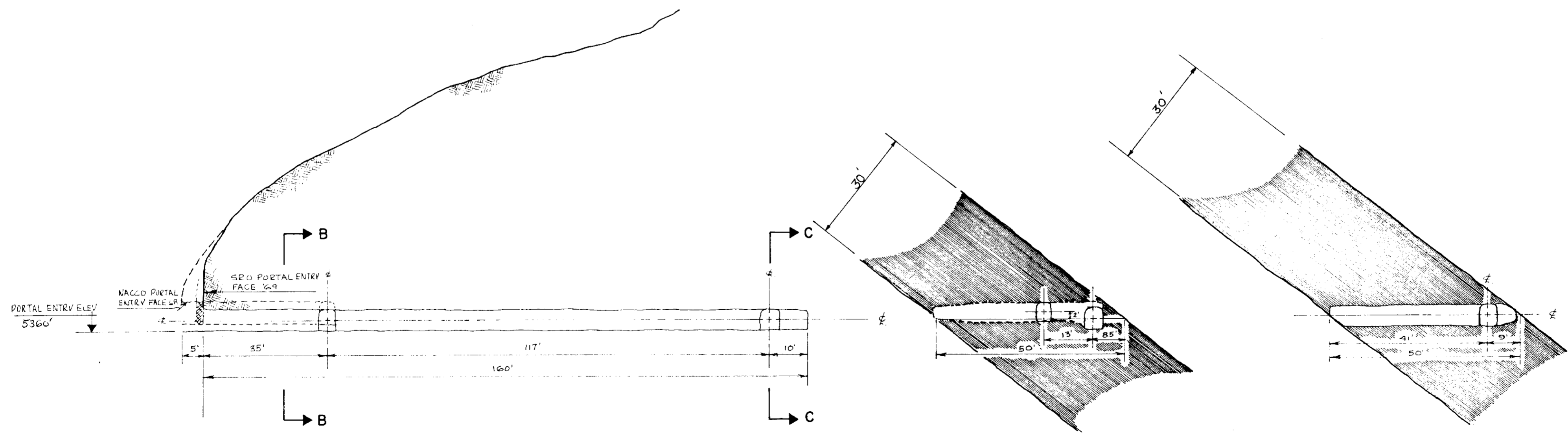
2"x20 MESH: 34 F.S.I.  
 20x100 MESH: 54 F.S.I.  
 100 MESH: 800 F.S.I.



BARRELS	10
MOISTURE	1.05%
ASH	14.31%
VOLATILE	17.92%
FIXED CARBON	67.77%
SULFUR	0.36%
B.T.U./lb	14,320
F.S.I.	35

BARRELS	6
MOISTURE	0.61%
ASH	25.14%
VOLATILE	15.47%
FIXED CARBON	58.72%
SULFUR	0.33%
B.T.U./lb	11,684
F.S.I.	40

**PLAN — ADIT No. 4**  
 NACCO '68      SRO '69



**SECTION A-A**

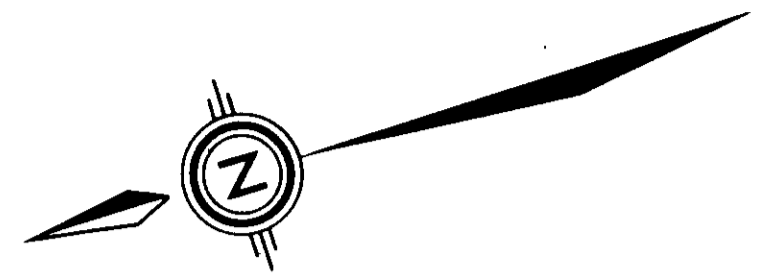
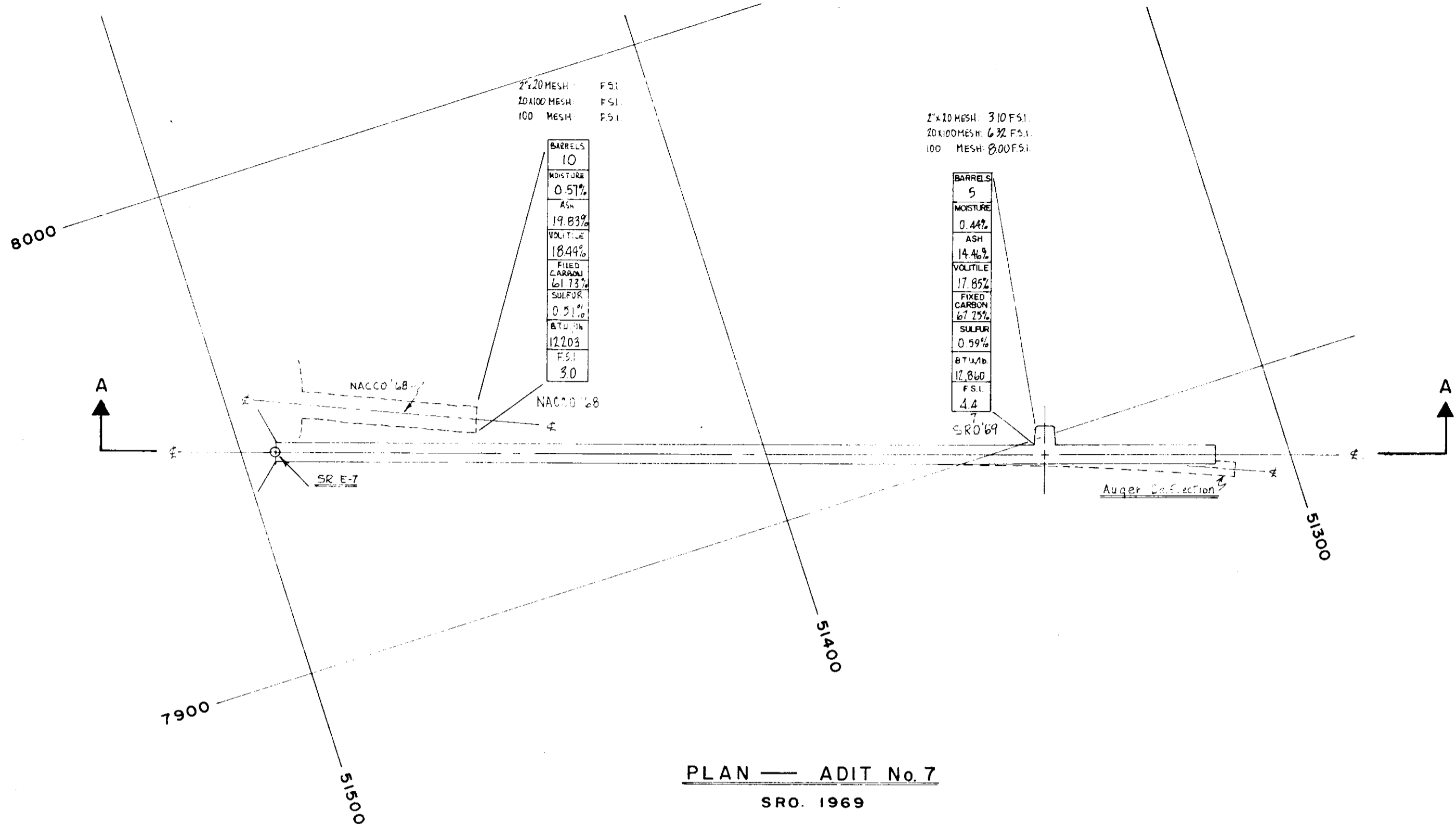
**SECTION B-B**

**SECTION C-C**

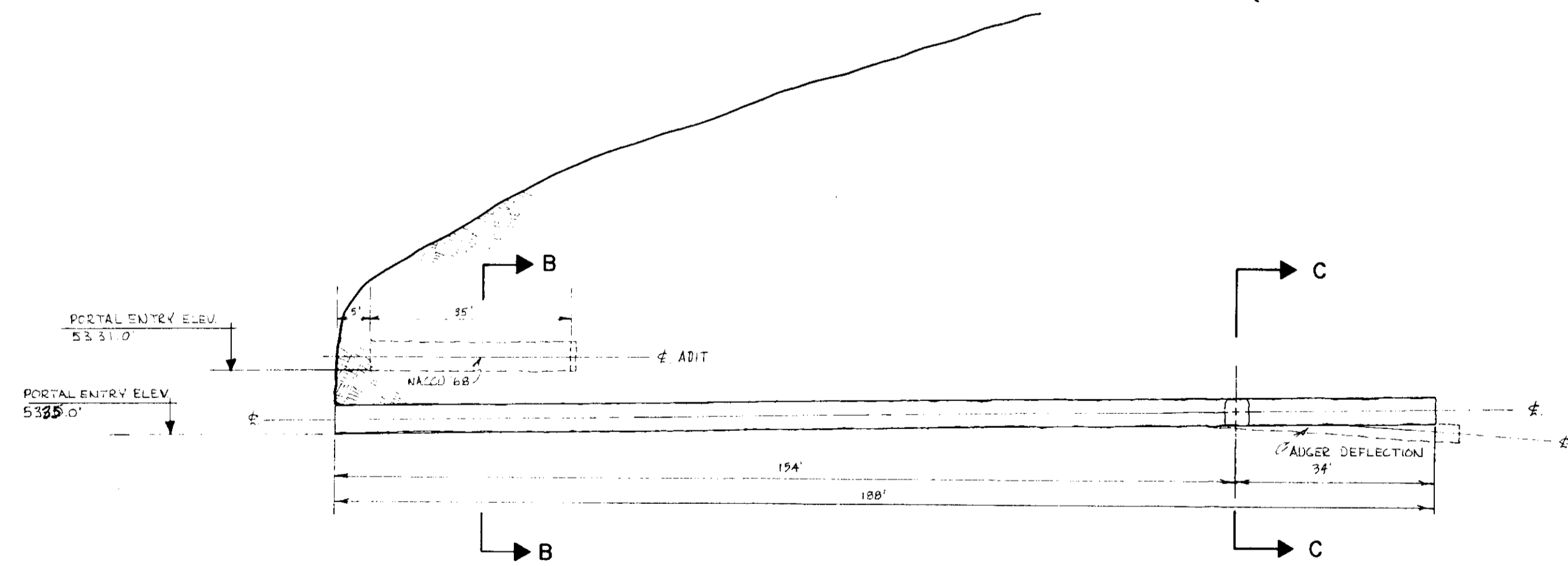
**266**

NACCO, 1968  
 K-ELK RIVER (2) B

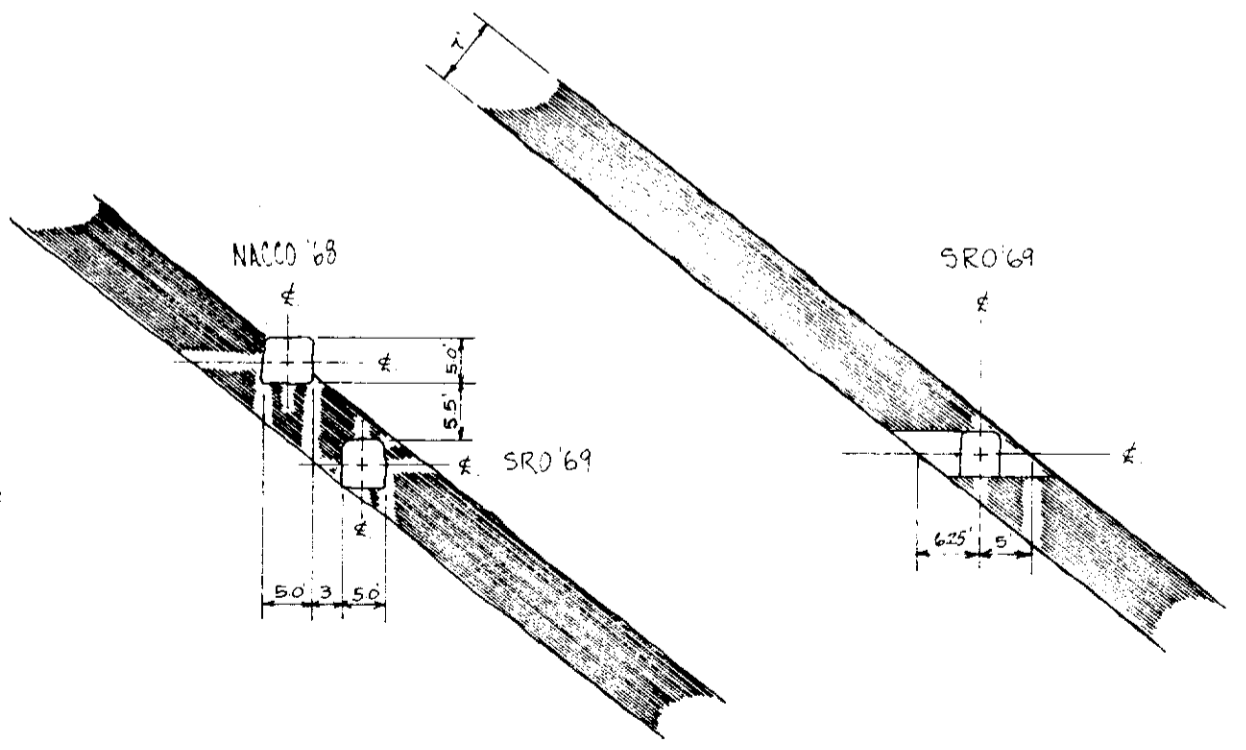
DRAWN R. M.	SCALE 1" = 20'	<b>SCURRY-RAINBOW OIL LTD.</b>	ADIT No. 4
TRACED	DATE NOV. 1969		ELK RIVER COAL WEARY CREEK AREA ELK RIVER B.C.
APPROVED			FILE NO. NM 231-4-39



PLAN — ADIT No. 7  
SRO. 1969



SECTION A-A



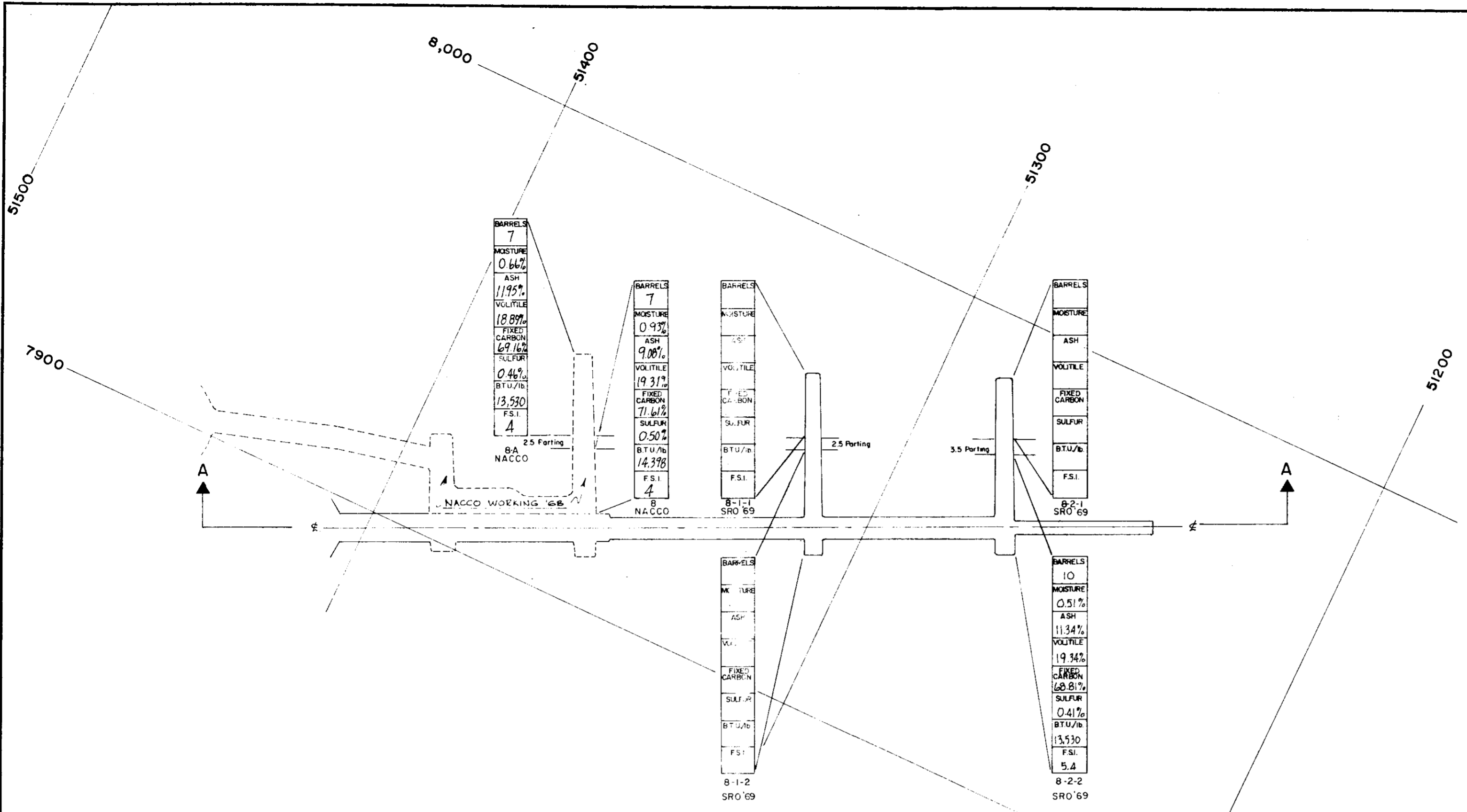
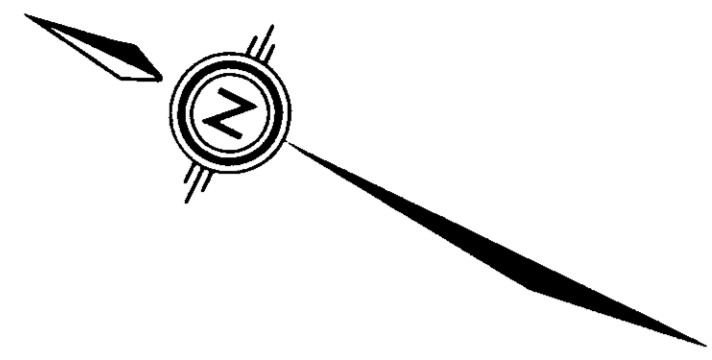
SECTION B-B

SECTION C-C

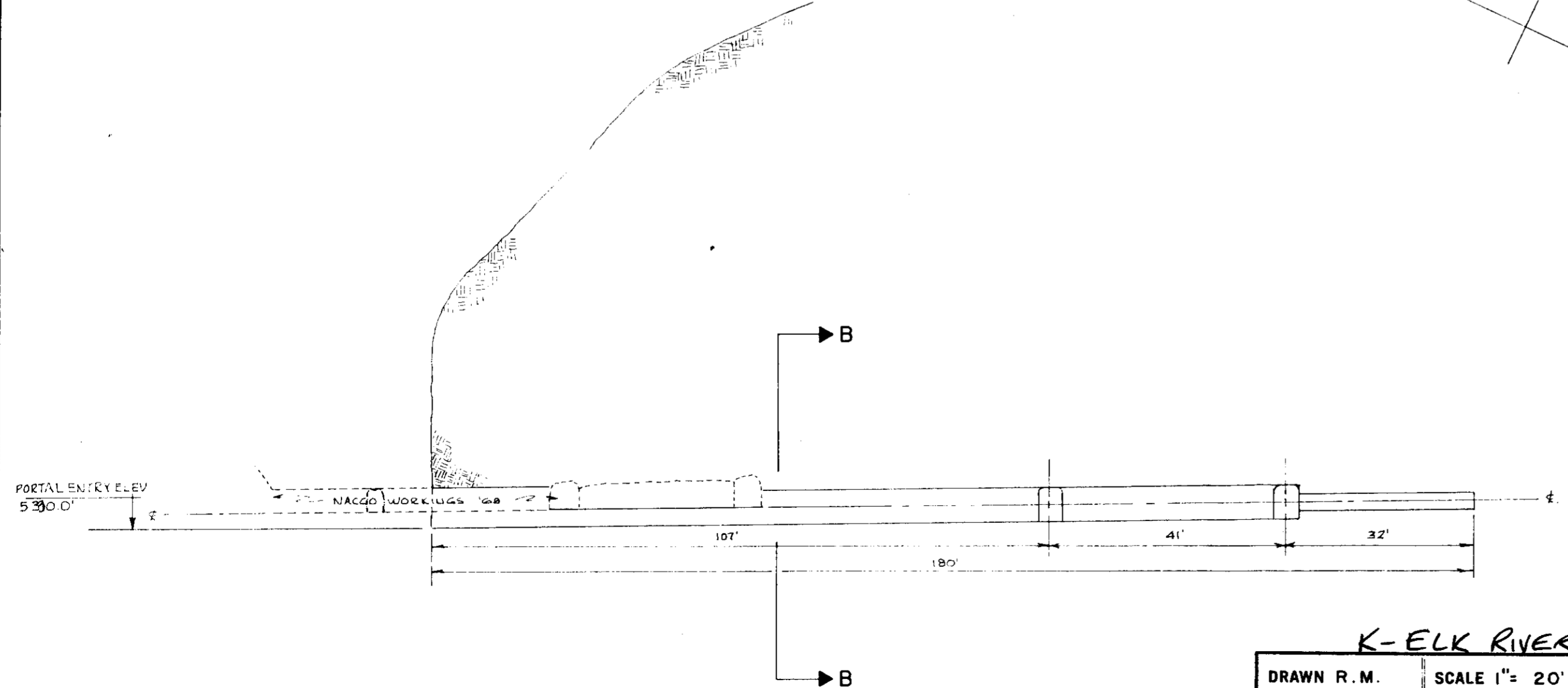
266

K-ELK RIVER 69 (2) B.

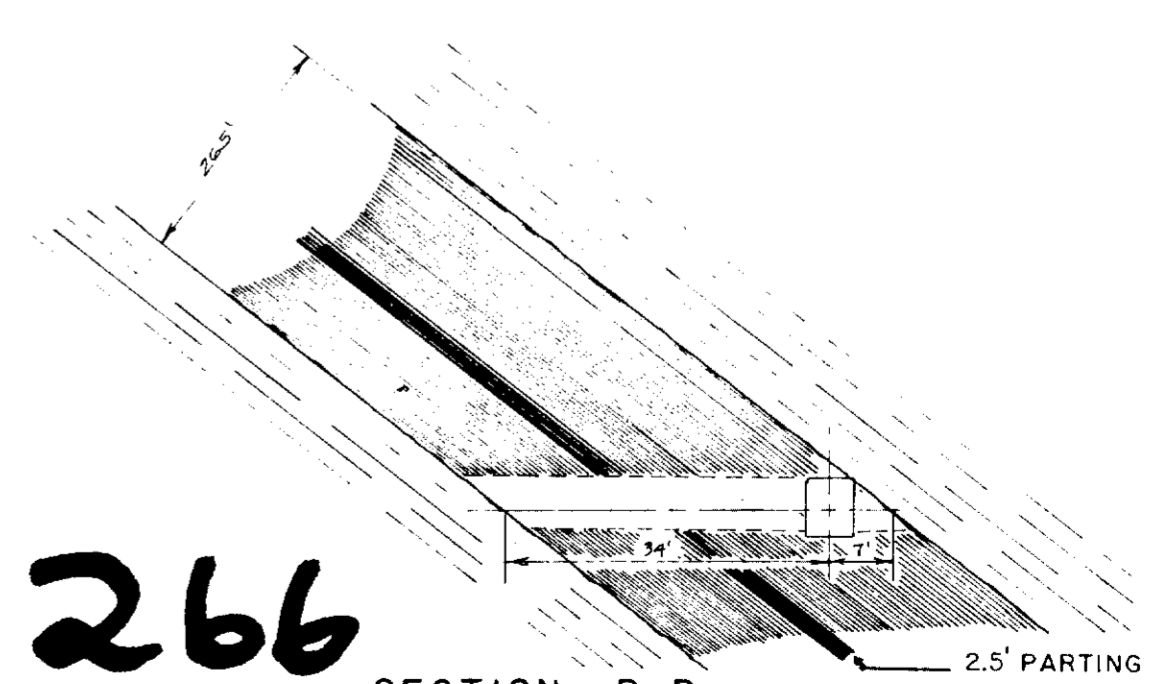
DRAWN R.M.	SCALE 1"= 20'	SCURRY-RAINBOW OIL LTD. ELK RIVER COAL WEARY CREEK AREA ELK RIVER B.C.	ADIT No. 7
TRACED	DATE NOV. 1969		PLAN & SECTIONS
APPROVED			FILE NO. NM 231 - 4 - 37



**PLAN - ADIT No. 8**  
NACCO 1968, SRO 1969



**SECTION A-A**



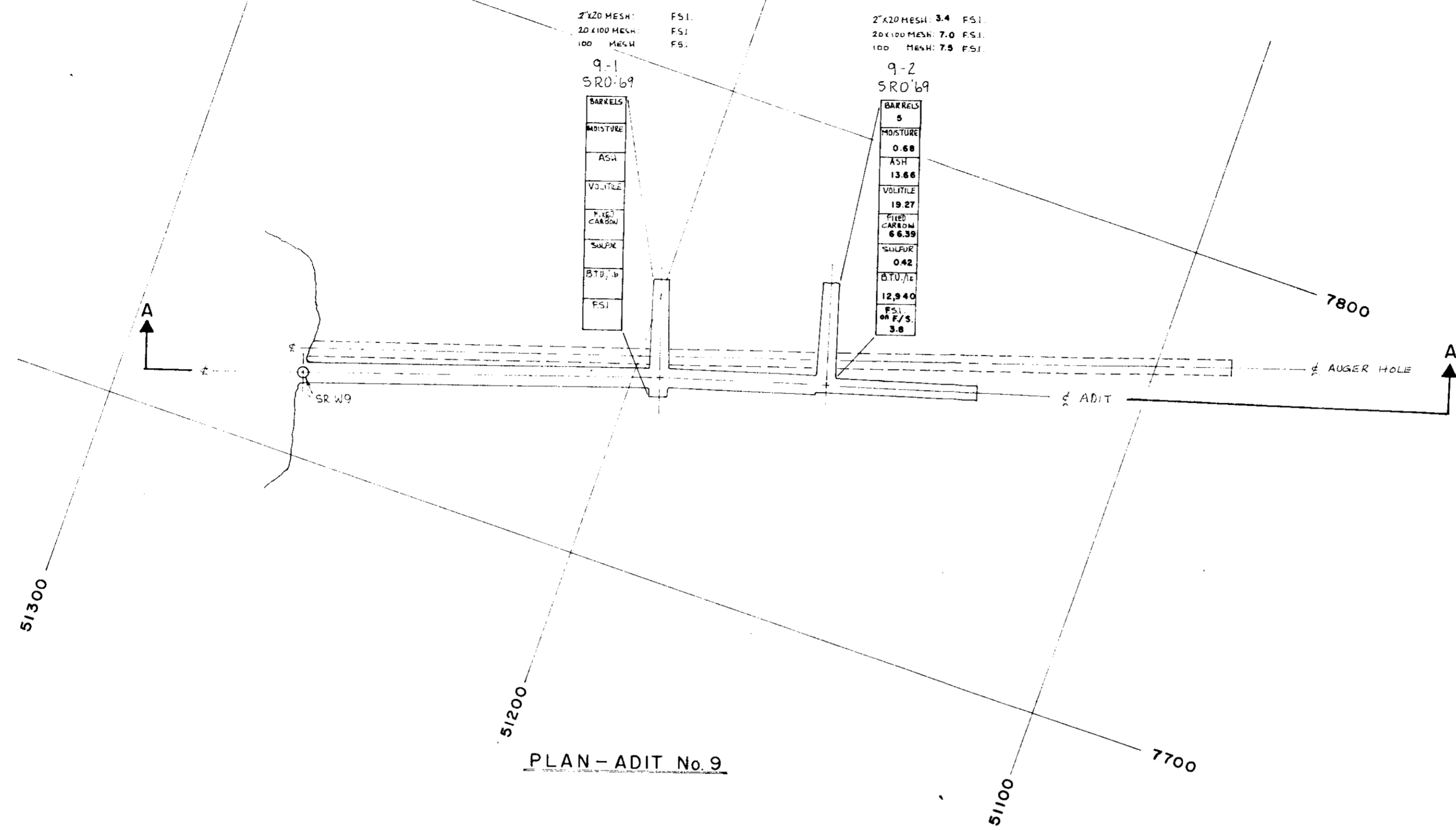
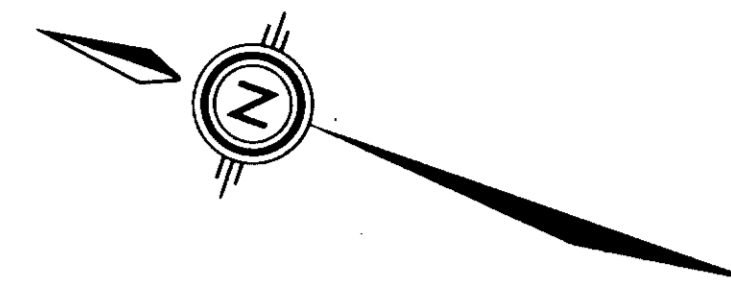
**SECTION B-B**

**266**

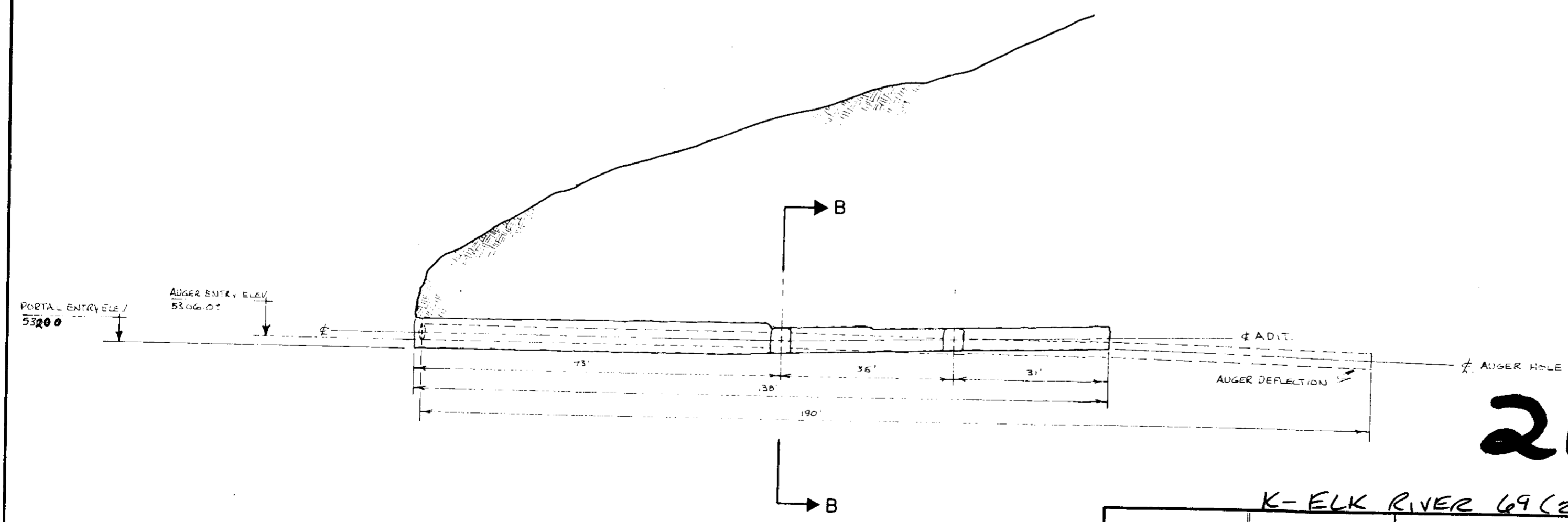
K-ELK RIVER (2)B.

PRELIMINARY

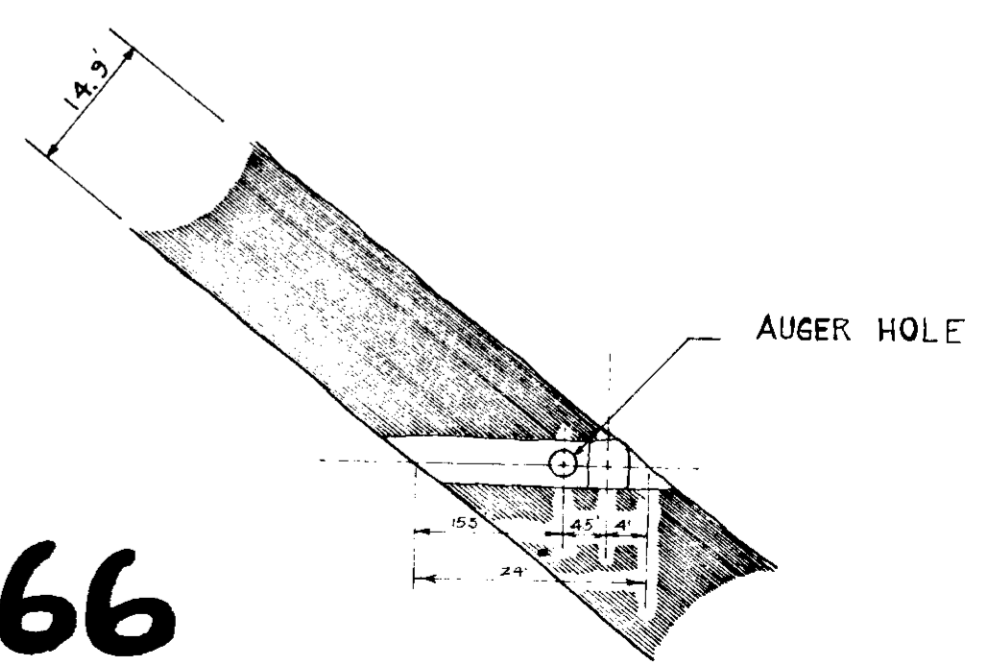
DRAWN R.M.	SCALE 1" = 20'	<b>SCURRY-RAINBOW OIL LTD.</b>	ADIT No. 8
TRACED	DATE NOV. '69		ELK RIVER COAL WEARY CREEK AREA
APPROVED			ELK RIVER B.C.
			PLAN & SECTIONS
			FILE NO. NM 231 - 4 - 36



PLAN - ADIT No. 9



SECTION A-A



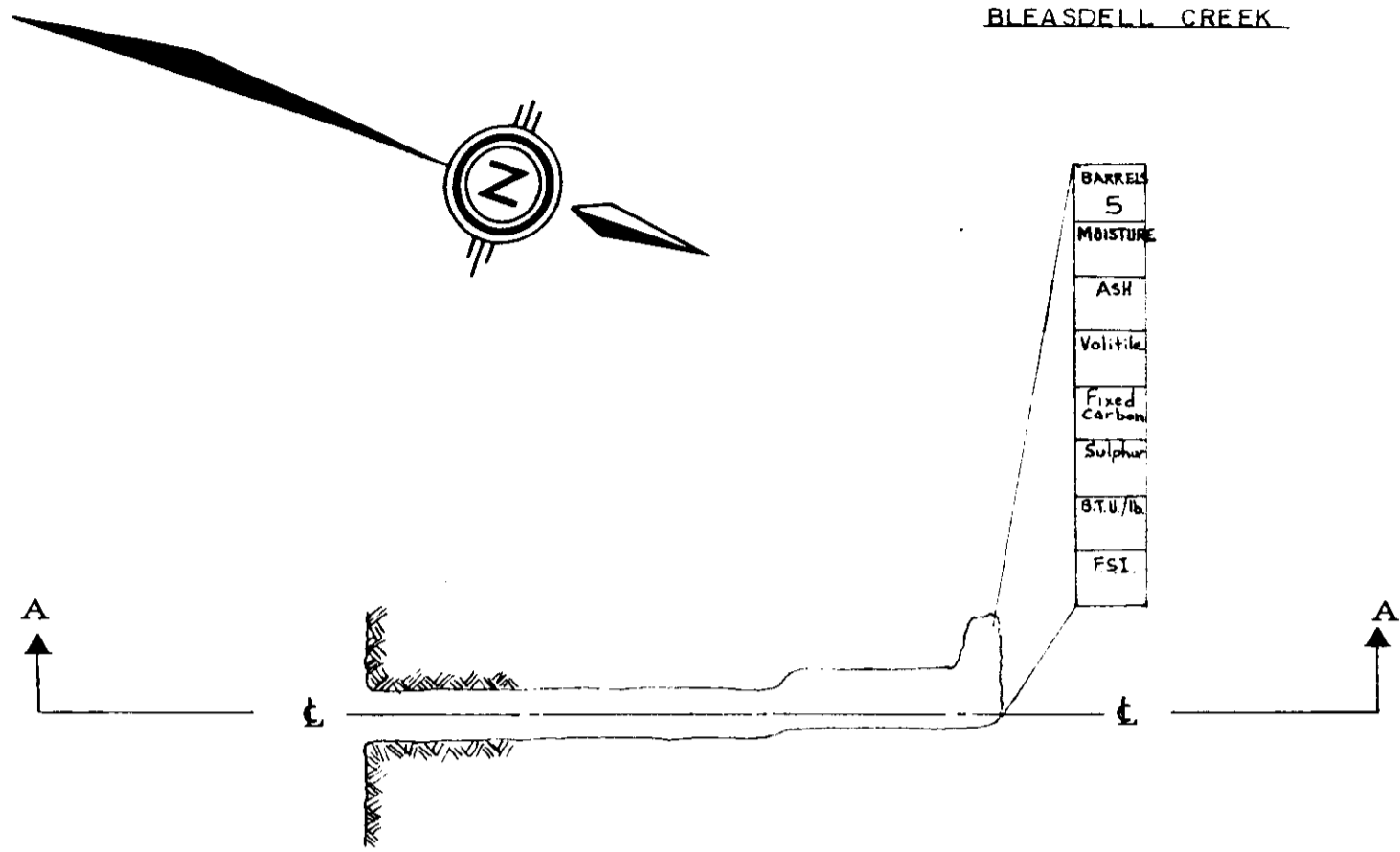
SECTION B-B

266

K-ELK RIVER 69(2)B.

DRAWN R.M.	SCALE 1" = 20'	SCURRY-RAINBOW OIL LTD.	ADIT No. 9
TRACED	DATE NOV. 1969		
APPROVED			FILE NO. N.M. 231 - 4 - 38

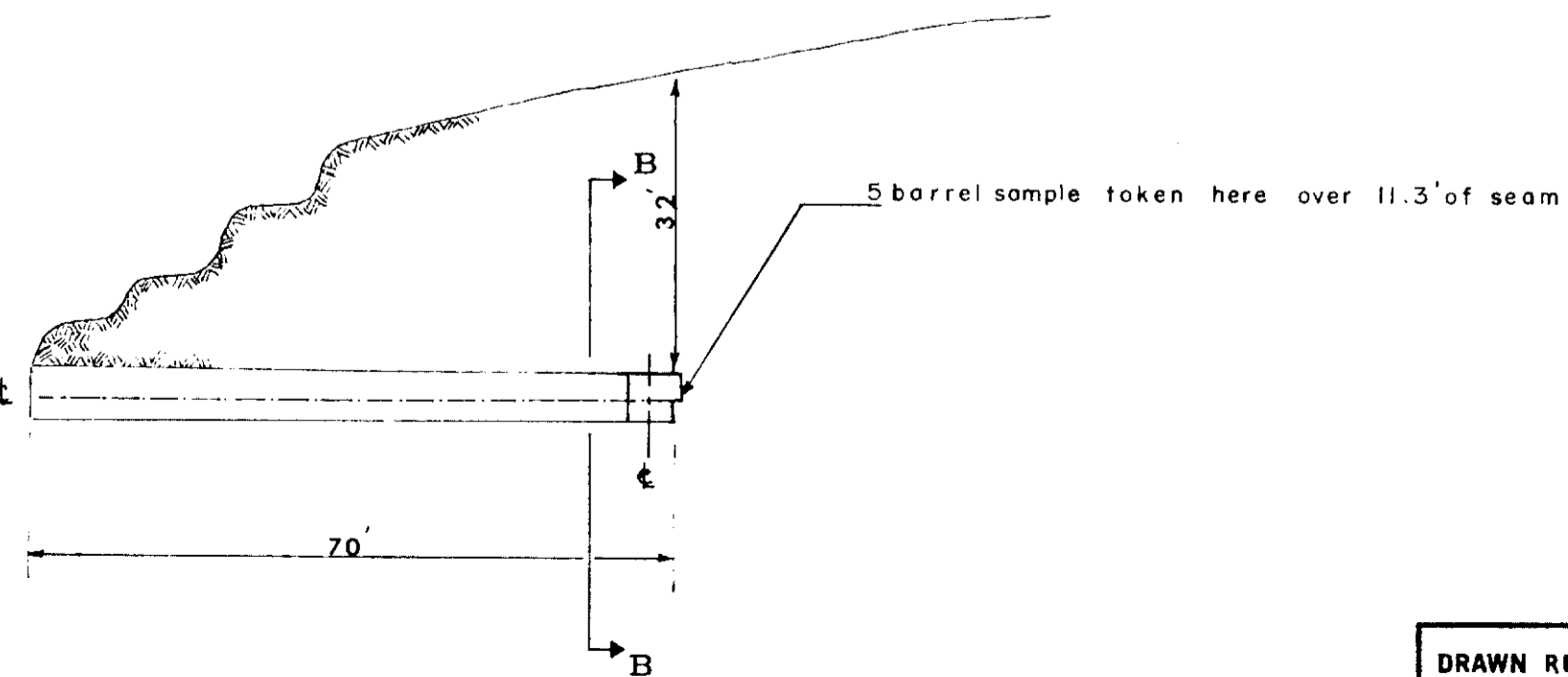
BLEASDELL CREEK



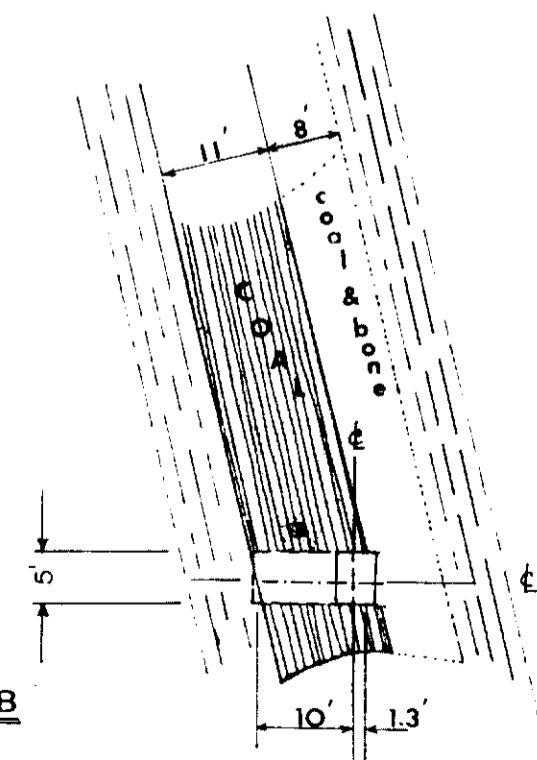
**PLAN - ADIT # 9**

S.R.O. 1969

PORTAL ENTRY ELEV.  
BM 2040  
M. ELHANNEY ASSO. C.  
5790



**SECTION A-A**

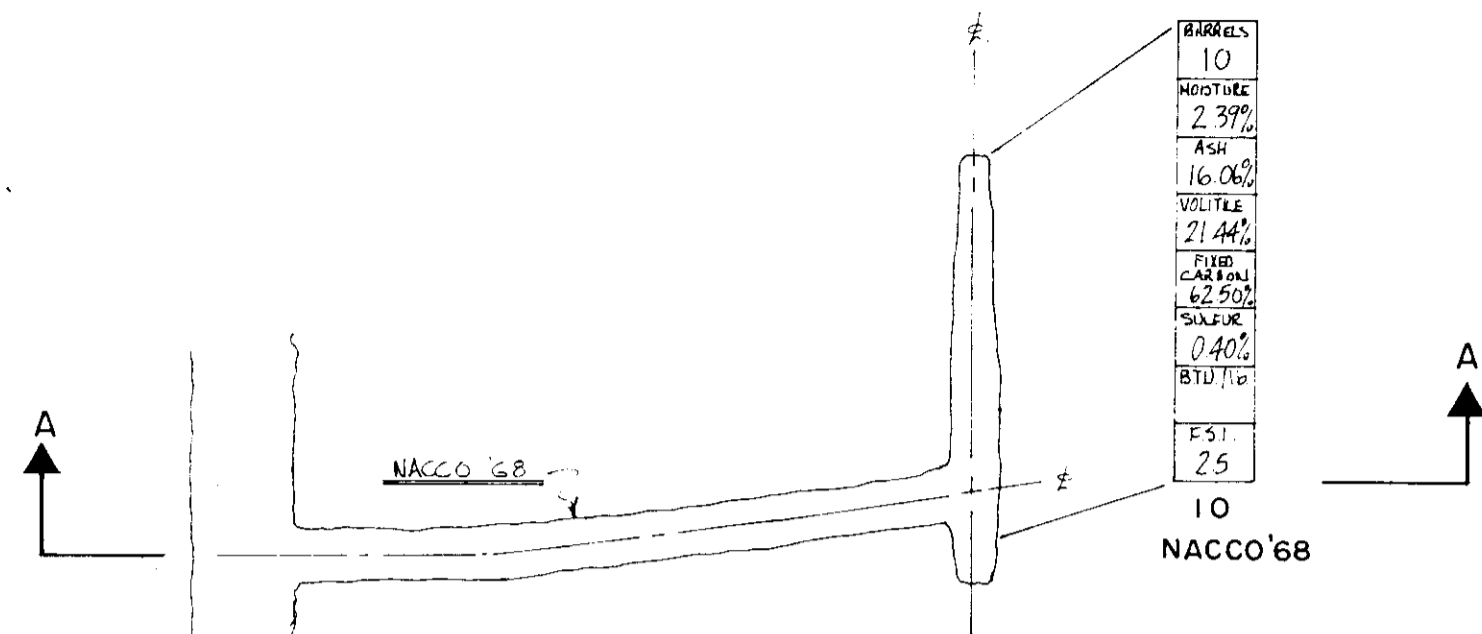
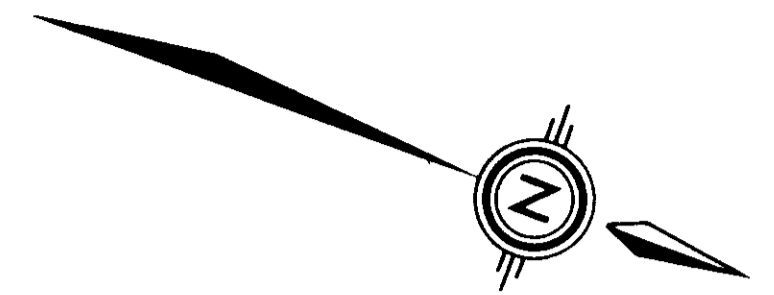


**266**  
SECTION B-B

K-ELK RIVER 69 (2) B

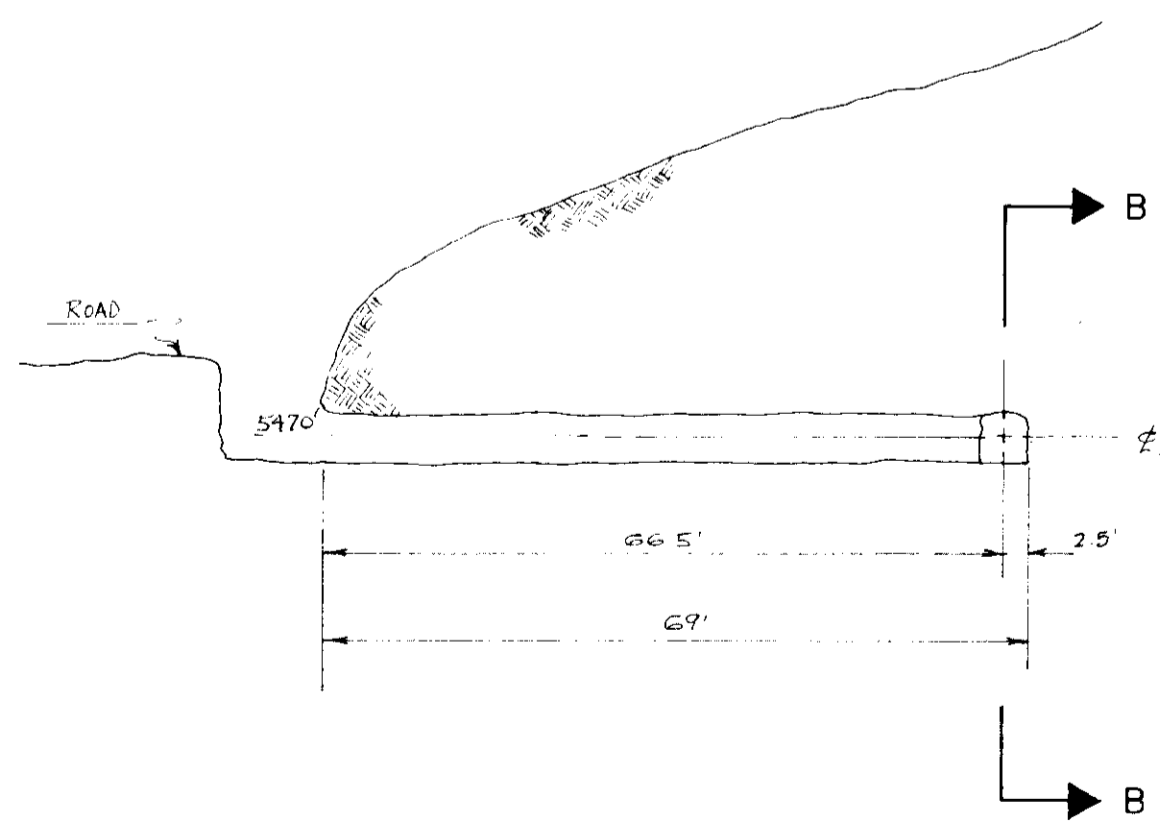
DRAWN REV	SCALE 1" = 20'	<b>SCURRY-RAINBOW OIL LTD.</b> ELK RIVER COAL BLEASDELL CREEK AREA ELK RIVER, B.C.	ADIT No. 9
TRACED	DATE NOV. '69		PLAN & SECTIONS
APPROVED			FILE NO. NM 231-4-46



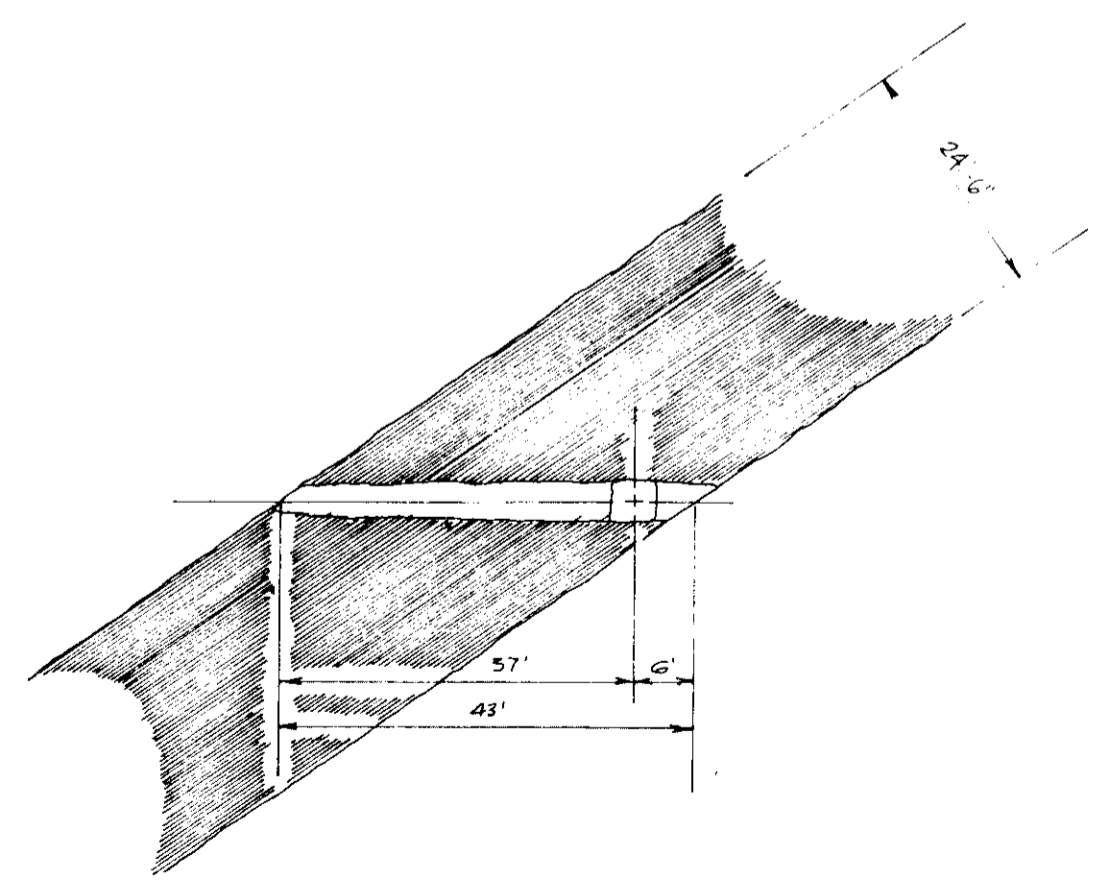


BARRELS	10
MOISTURE	2.39%
ASH	16.06%
VOLATILE	21.44%
FIXED CARBON	62.50%
SULFUR	0.40%
BTU/lb	
FSI	25
	10
	NACCO '68

PLAN ADIT No. 10  
NACCO '68



SECTION A-A

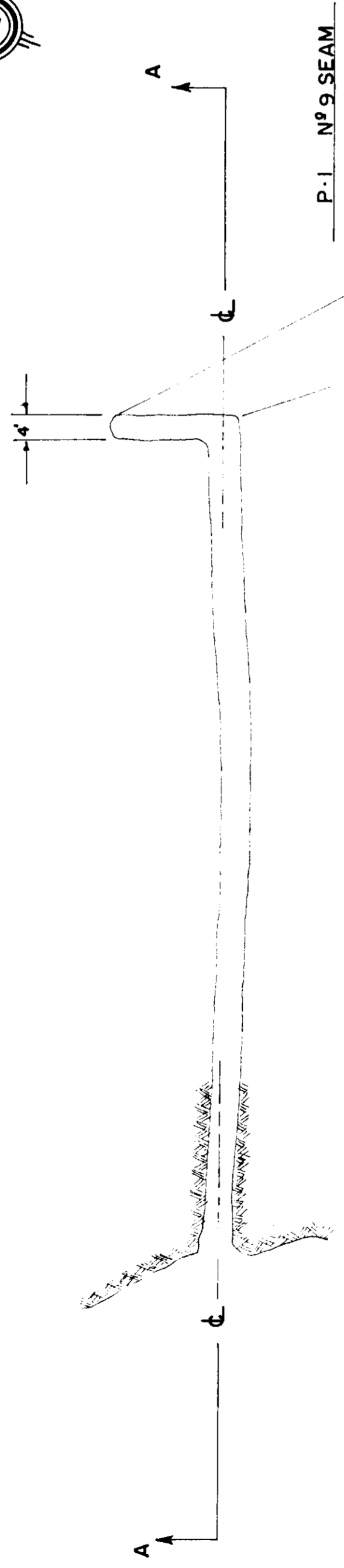
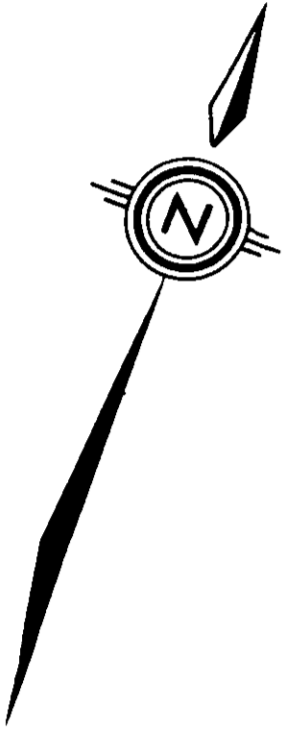


SECTION B-B

266

K-ELK RIVER 69 (2) B

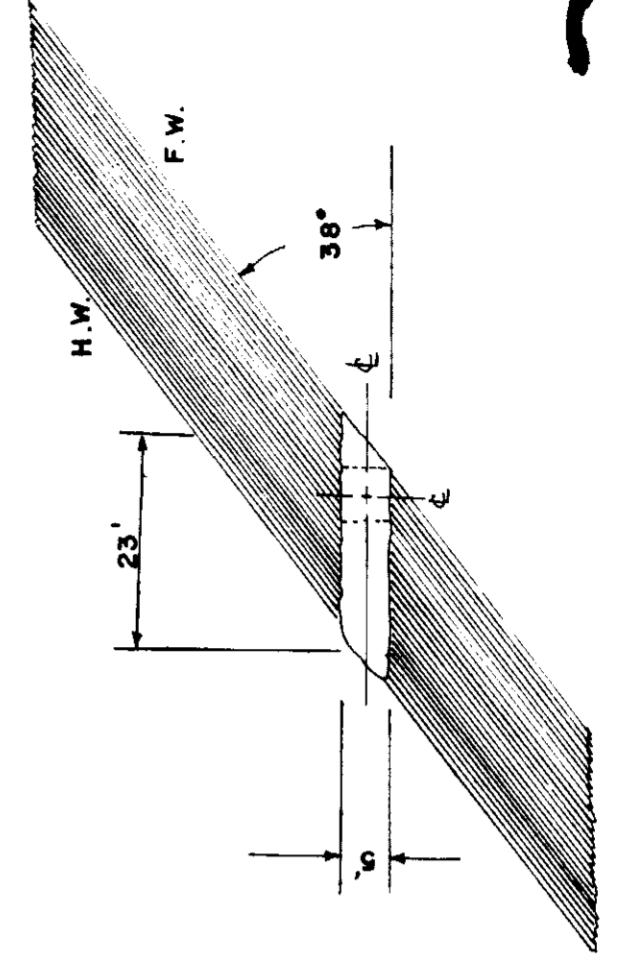
DRAWN R.M.	SCALE 1" = 20'	<b>SCURRY-RAINBOW OIL LTD.</b> ELK RIVER COAL WEARY CREEK AREA ELK RIVER B.C.	ADIT No. 10
TRACED	DATE NOV. '69		PLAN & SECTIONS
APPROVED			FILE NO. NM 231 - 4 - 40



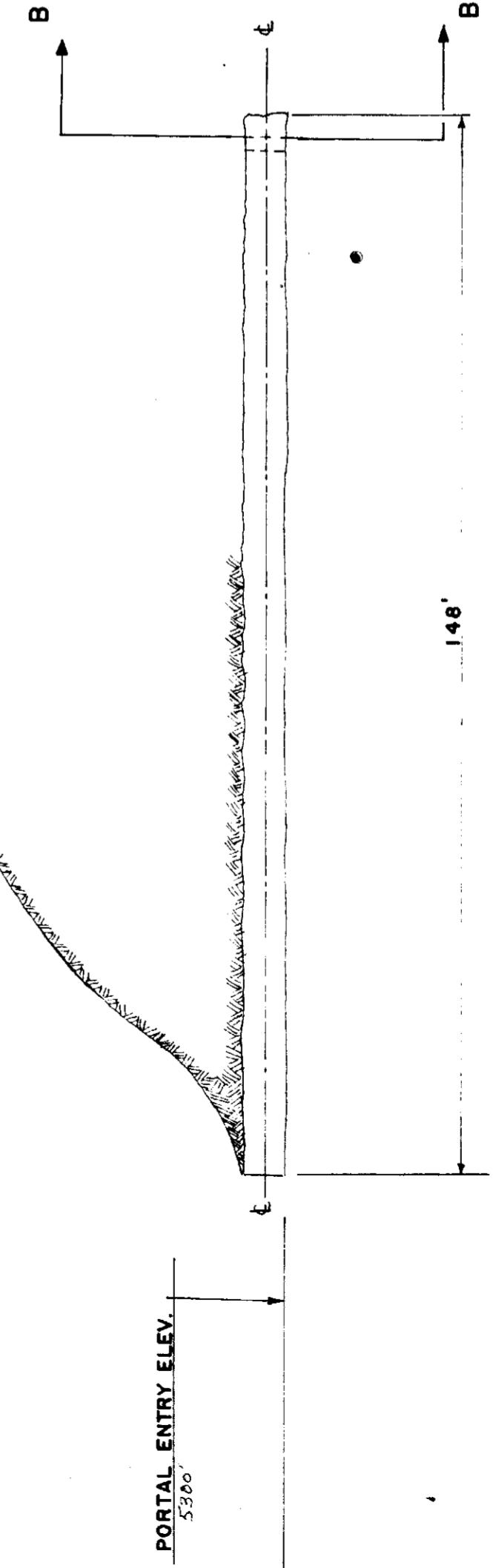
P-1 NO 9 SEAM

BARRELS	10
MOISTURE	0.72
ASH	13.66
VOLATILE	19.44
CALORIC	6,850
SULPHUR	0.37
STU/W.	14,419
FBI	4

PLAN - ADIT P-1  
( NACCO , 1968 )



SECTION B-B



SECTION A-A

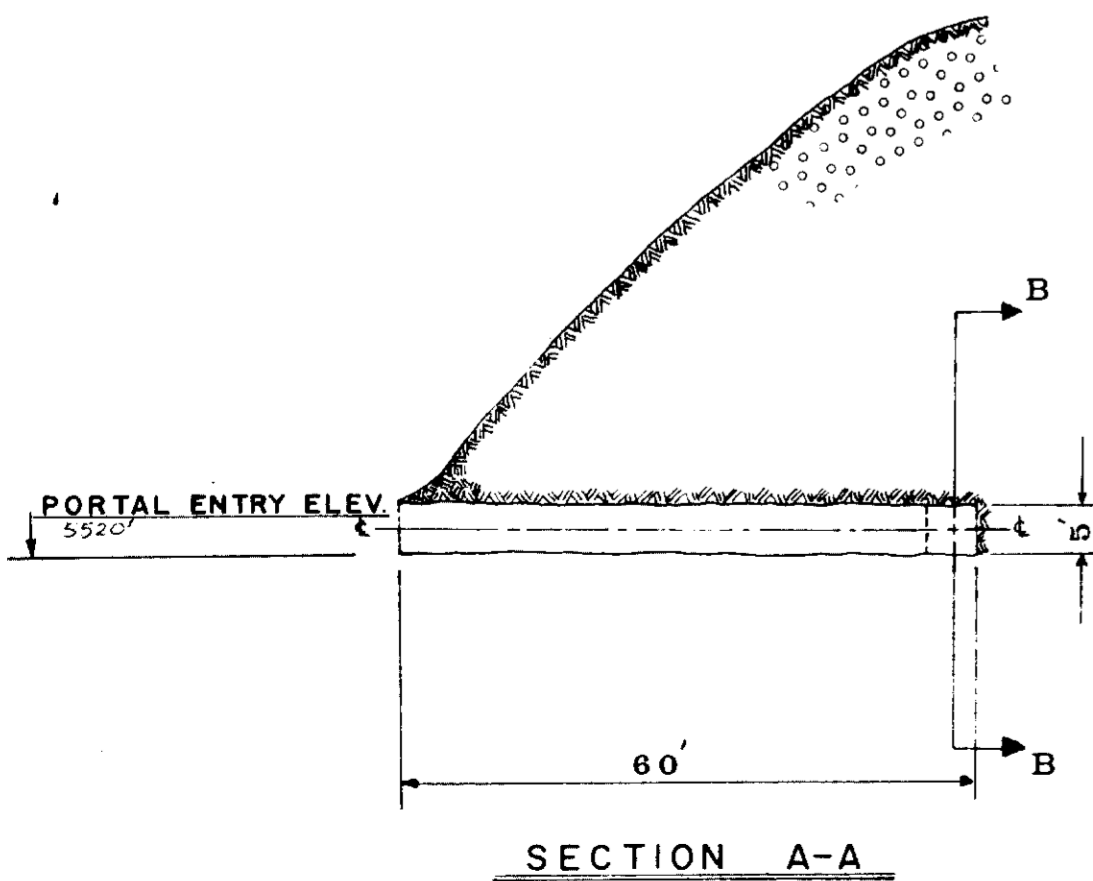
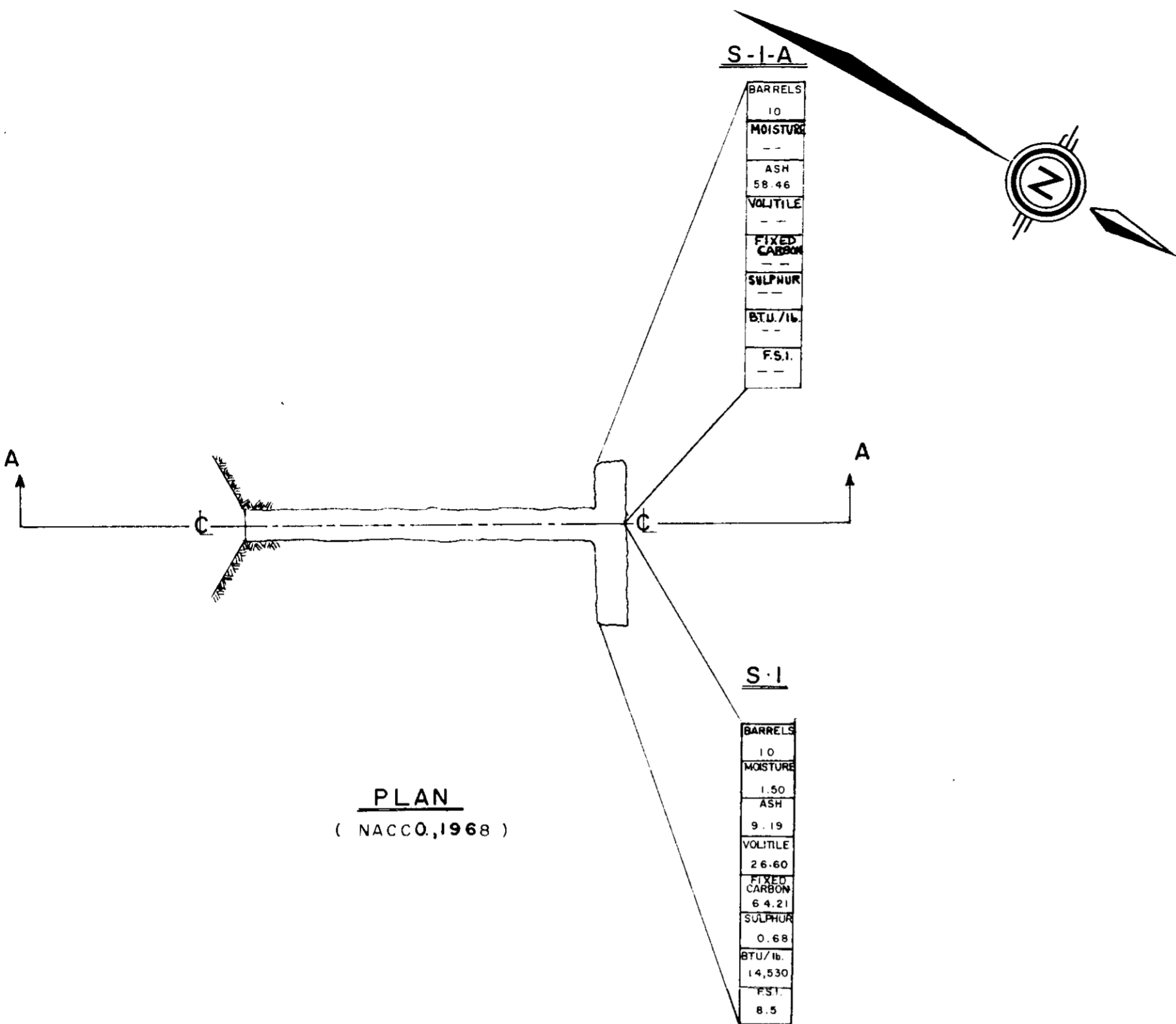
266

K - ELK RIVER 69(2) B.  
SCURRY-RAINBOW OIL LTD.

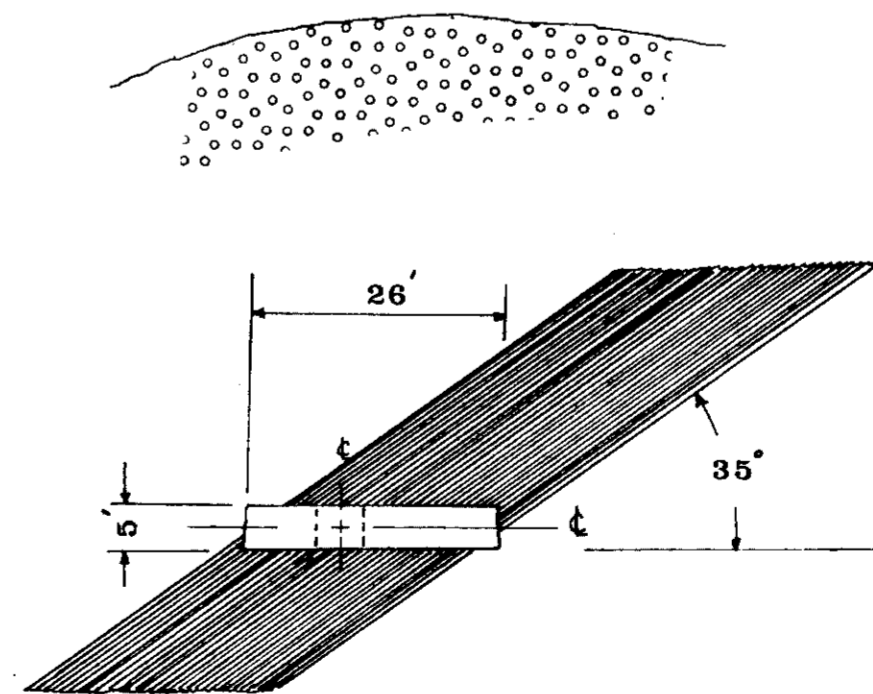
P-1 ENTRY  
NUMBER 9 SEAM  
PLAN & SECTIONS  
FILE NO. NM 231-4-43

DRAWN R.F.V.	SCALE 1"= 20'
TRACED	DATE NOV. 1969
APPROVED	

ELK RIVER COAL  
WEARY CREEK NORTH AREA  
ELK RIVER, B.C.



**SECTION B-B**



K-ELK RIVER 69(2)B.

DRAWN R.F.V.	SCALE 1"=20'
TRACED	DATE NOV., 1969
APPROVED	

**SCURRY-RAINBOW OIL LTD.**  
ELK RIVER COAL  
BIG WEARY RIDGE AREA  
ELK RIVER, B.C.

S-1 ENTRY  
PLAN & SECTIONS  
FILE NO. NM 231 - 4 - 44

266