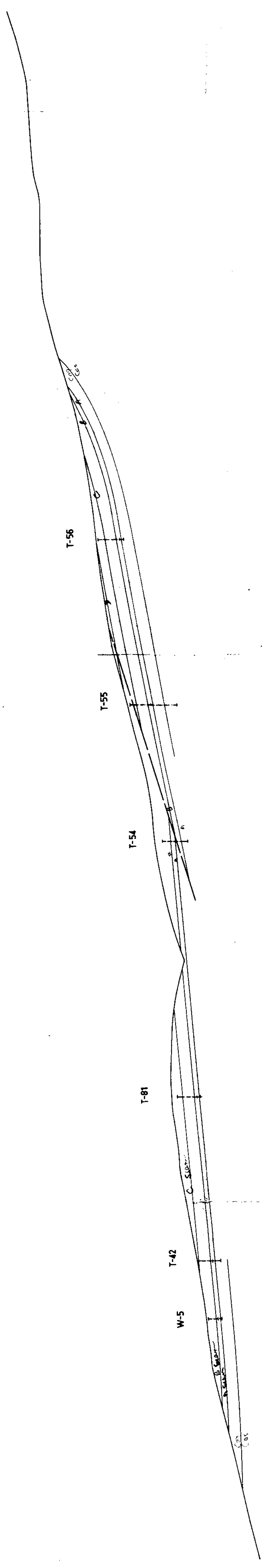


1700 —  
1600 —  
1500 —  
1400 —  
1300 —  
1200 —  
METRES

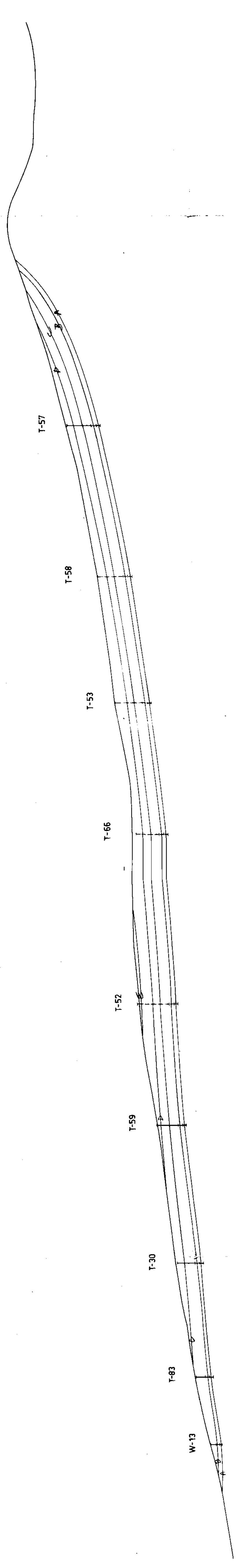
1700 —  
1600 —  
1500 —  
1400 —  
1300 —  
1200 —  
METRES



SECTION 95+700  
SOUTH FORK  
SCALE 1:5000

**478**

12-5-1963

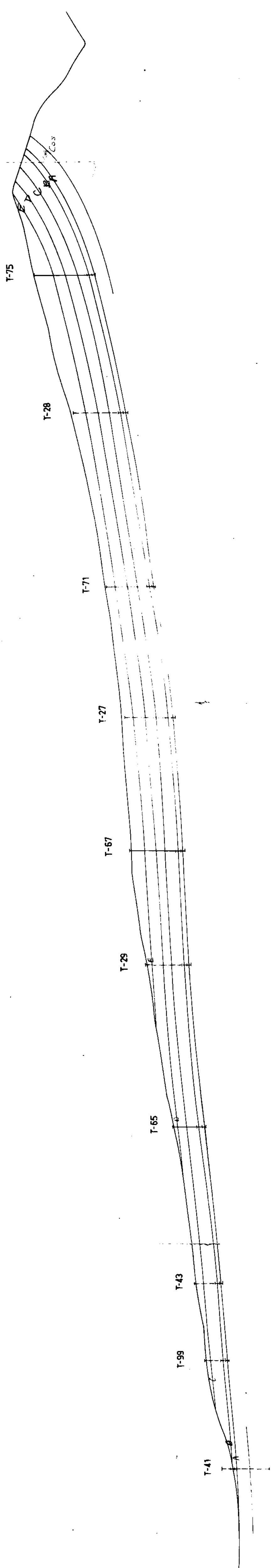


1700  
1600  
1500  
1400  
1300  
1200  
METRES

SECTION 96 + 000  
SOUTH FORK  
SCALE 1:5000

**478**

*Hand-drawn 77 (2) A.*



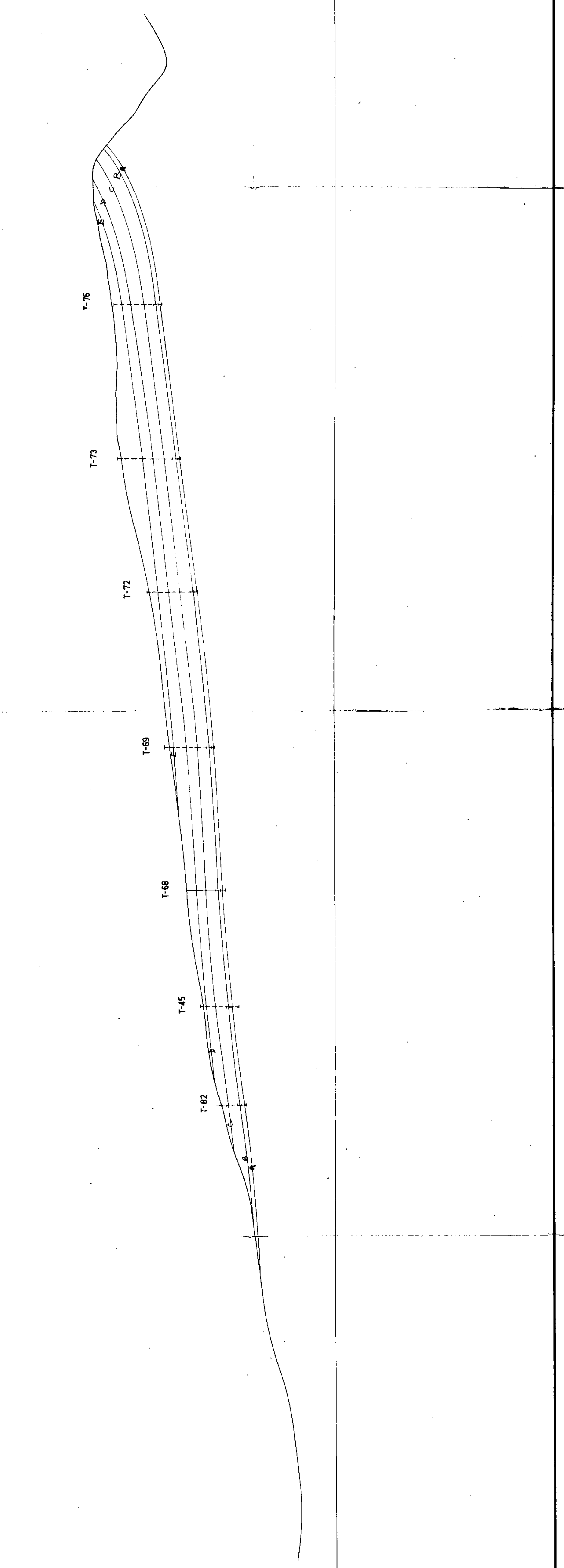
SECTION 96 + 300  
 SOUTH FORK  
 SCALE 1:5000

478

22-6641-1003-77(3)A

1700  
1600  
1500  
1400  
1300  
1200  
METRES

1700  
1600  
1500  
1400  
1300  
1200  
METRES



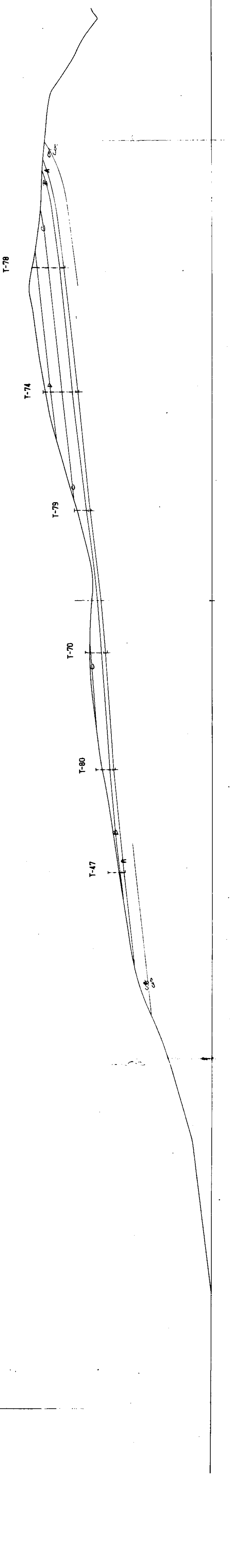
SECTION 96+600  
SOUTH FORK  
SCALE 1:5000

**478**

PR - 1946-1-10-1956-71(3)A

1700  
1600  
1500  
1400  
1300  
1200  
METRES

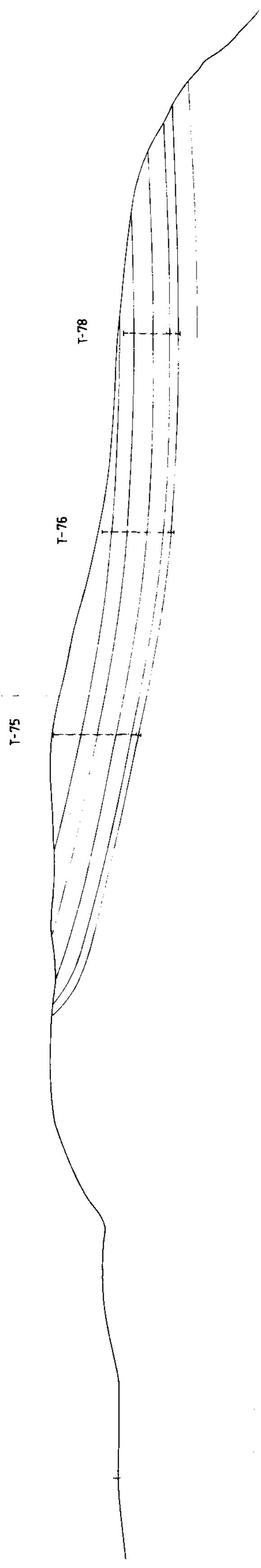
1700  
1600  
1500  
1400  
1300  
1200  
METRES



SECTION 96+900  
SOUTH FORK  
SCALE 1:5000

478

22-BULL. 111157-77 (2) 1/2



1700  
1600  
1500  
1400  
1300  
1200  
METRES

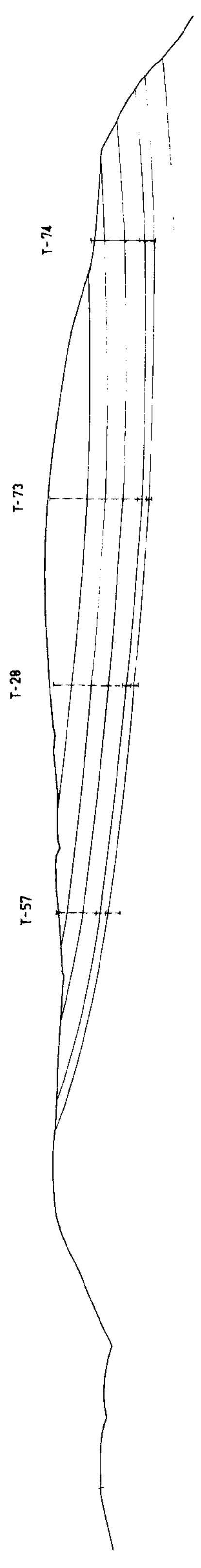
1700  
1600  
1500  
1400  
1300  
1200  
METRES

SECTION 106+900  
SOUTH FORK  
SCALE 1:5000

**478**

*W. Bullimore P.E. (S.A.)*

1700  
1600  
1500  
1400  
1300  
1200  
METRES



1700  
1600  
1500  
1400  
1300  
1200  
METRES

SECTION 107+200  
SOUTH FORK  
SCALE 1:5000

**478**

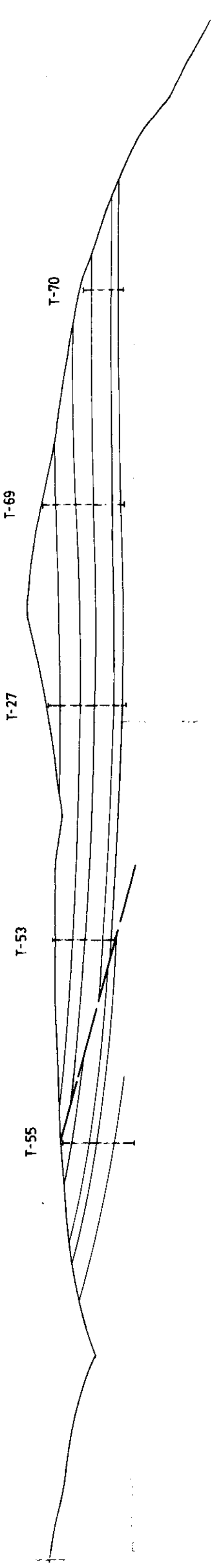
RE-BULLMOOSE 77(3)A.





1700  
1600  
1500  
1400  
1300  
1200  
METRES

1700  
1600  
1500  
1400  
1300  
1200  
METRES



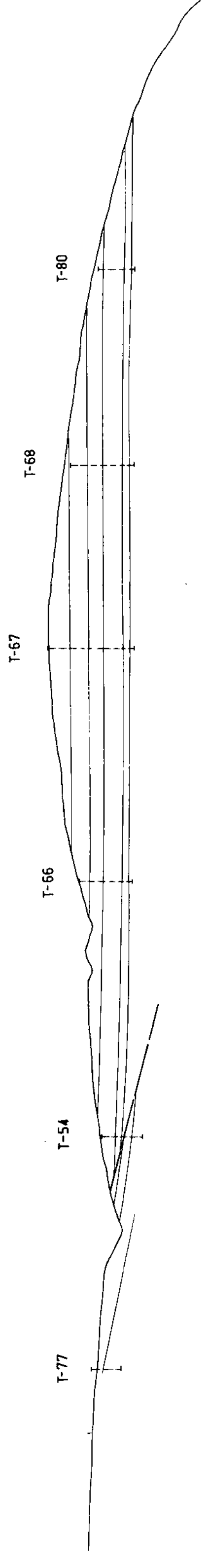
SECTION 107+800  
SOUTH FORK  
SCALE 1:5000

478

PL-6667085W 77 (3)A

1700 —  
1600 —  
1500 —  
1400 —  
1300 —  
1200 —  
METRES

1700 —  
1600 —  
1500 —  
1400 —  
1300 —  
1200 —  
METRES



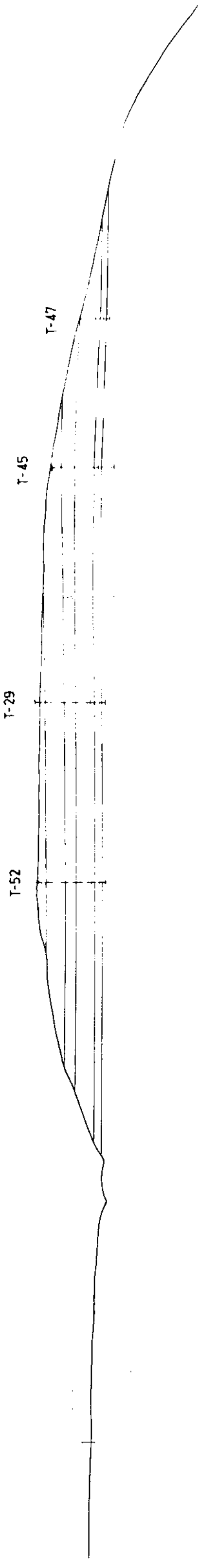
SECTION 108+100  
SOUTH FORK  
SCALE 1 : 5000

478

PL-64440087-77(2)P.

1700  
1600  
1500  
1400  
1300  
1200  
METRES

1700  
1600  
1500  
1400  
1300  
1200  
METRES

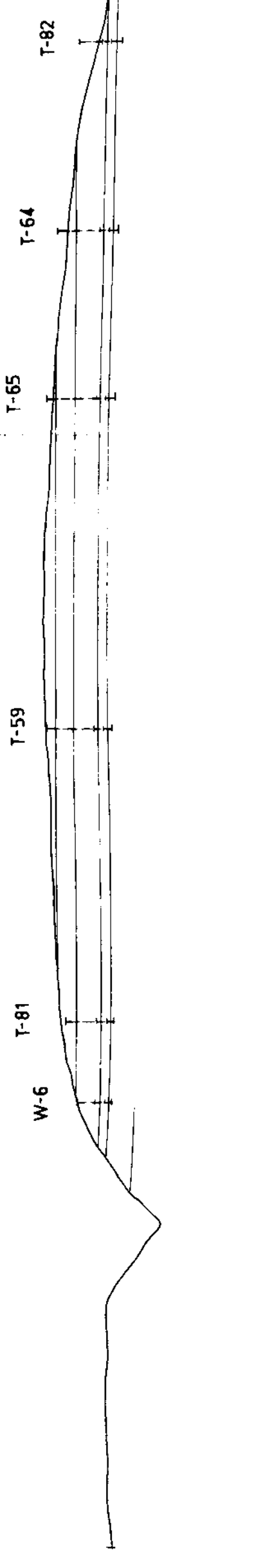


SECTION 108+400  
SOUTH FORK  
SCALE 1:5000

478

PC-BUSINESS 773A

1700  
1600  
1500  
1400  
1300  
1200  
METRES



1700  
1600  
1500  
1400  
1300  
1200  
METRES

SECTION 108+700  
SOUTH FORK  
SCALE 1:5000

478

Re-Bull Moose 77(2)A.

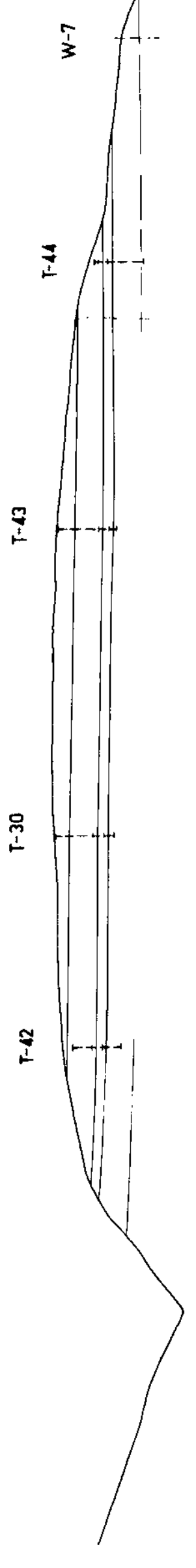
478

22-8154-10000-22 (S. 14)

SECTION 109+000  
SOUTH FORK  
SCALE 1:5000

1700  
1600  
1500  
1400  
1300  
1200  
METRES

1700  
1600  
1500  
1400  
1300  
1200  
METRES



1700  
1600  
1500  
1400  
1300  
1200  
METRES

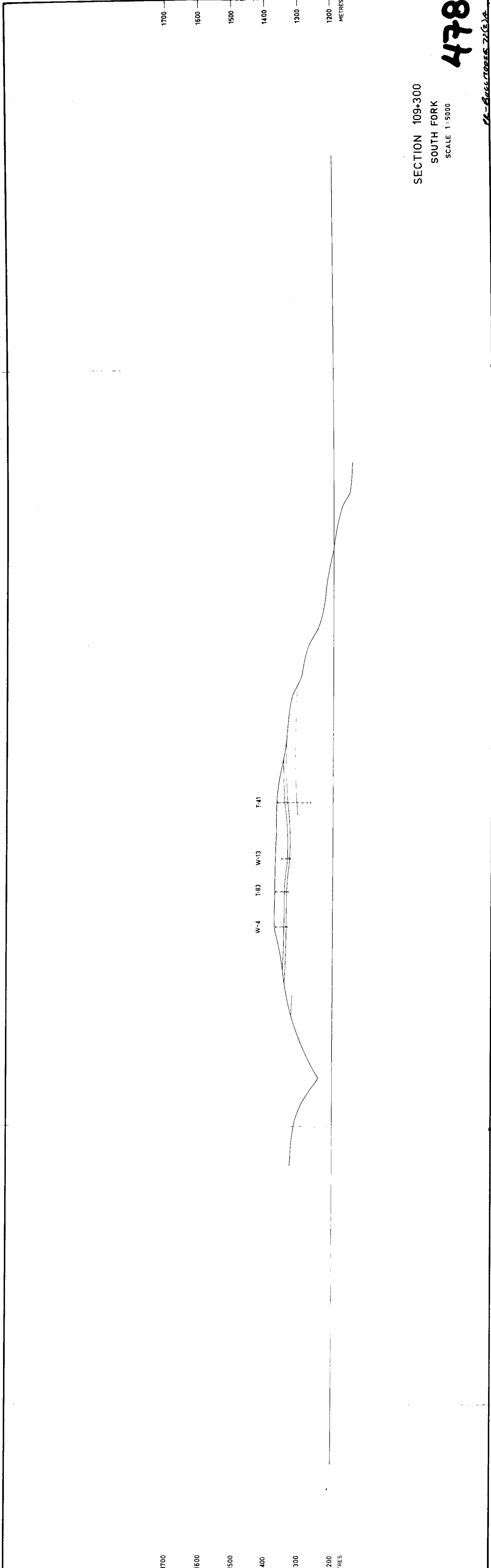
1700  
1600  
1500  
1400  
1300  
1200  
METRES

W-4 T-83 W-13 T-41

SECTION 109+300  
SOUTH FORK  
SCALE 1:5000

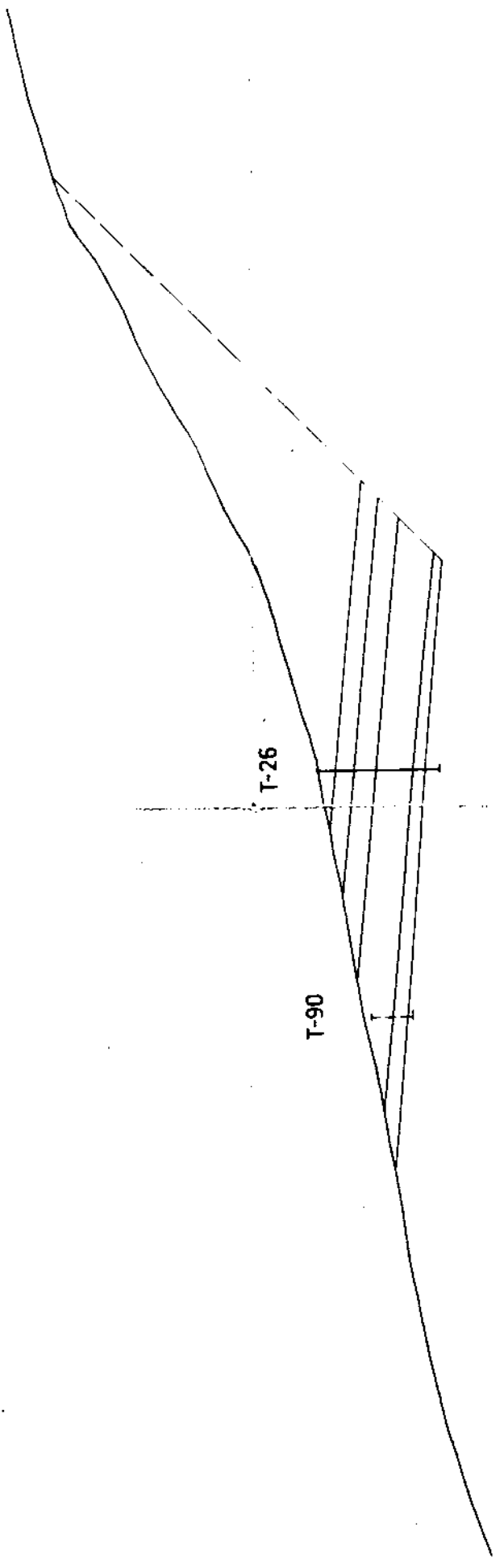
478

11-BULLTOPS-72(e)A



1700 —  
1600 —  
1500 —  
1400 —  
1300 —  
1200 —  
METRES

1700 —  
1600 —  
1500 —  
1400 —  
1300 —  
1200 —  
METRES



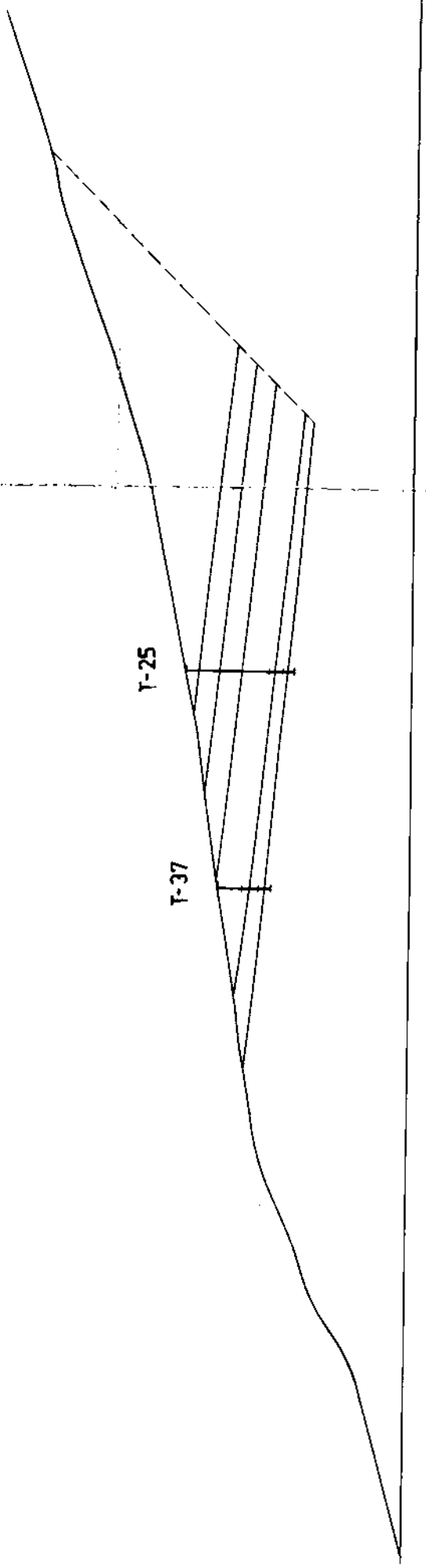
SECTION 1  
WEST FORK  
SCALE 1:5000

478

22-506-1038-7761A

1700  
1600  
1500  
1400  
1300  
1200  
METRES

1700  
1600  
1500  
1400  
1300  
1200  
METRES



SECTION 2  
WEST FORK  
SCALE 1 : 5000

478

RR - BULLHORN 22 (S) A



1700  
1600  
1500  
1400  
1300  
1200  
METRES

1700  
1600  
1500  
1400  
1300  
1200  
METRES

T-84

T-91

SECTION 3  
WEST FORK  
SCALE 1:5000

478

AS - SURVEYED 77 (2) A

1700  
1600  
1500  
1400  
1300  
1200  
METRES

1700  
1600  
1500  
1400  
1300  
1200  
METRES

T-23

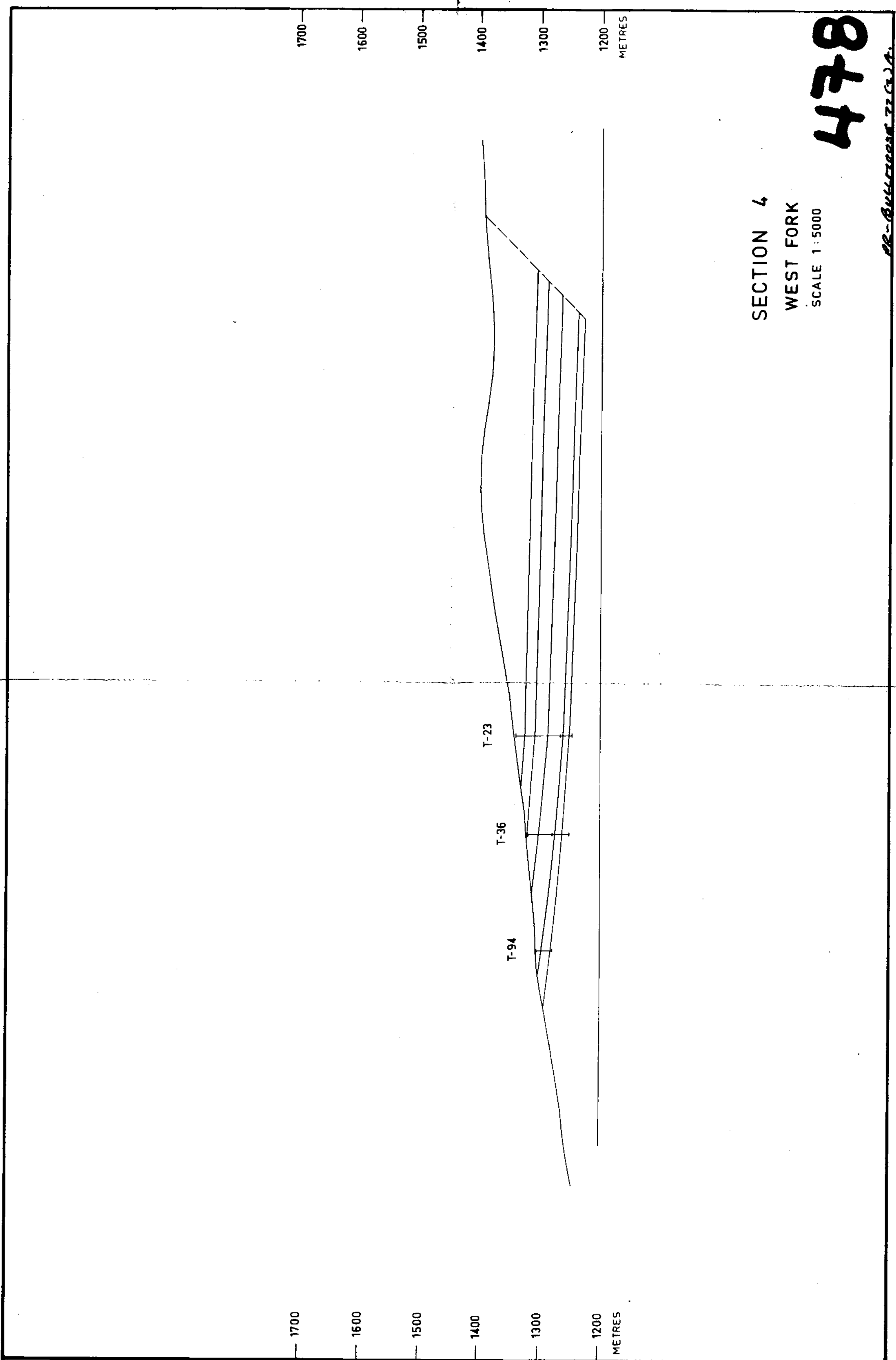
T-36

T-94

SECTION 4  
WEST FORK  
SCALE 1 : 5000

478

RR-Substation 22 (S.A.)



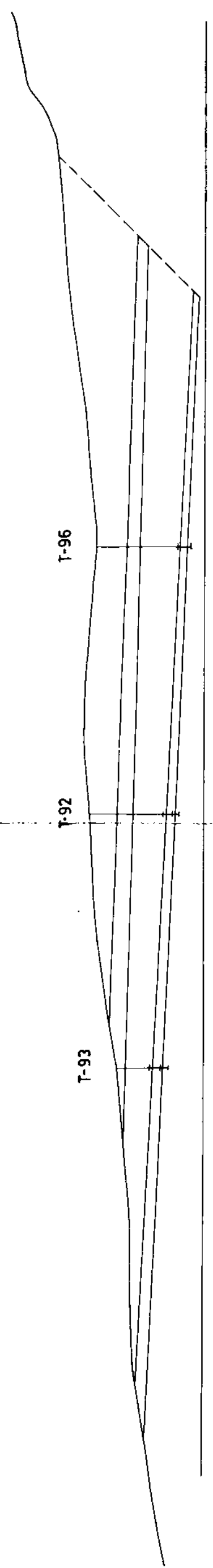
1700 —  
1600 —  
1500 —  
1400 —  
1300 —  
1200 —  
METRES

1700 —  
1600 —  
1500 —  
1400 —  
1300 —  
1200 —  
METRES

SECTION 5  
WEST FORK  
SCALE 1:5000

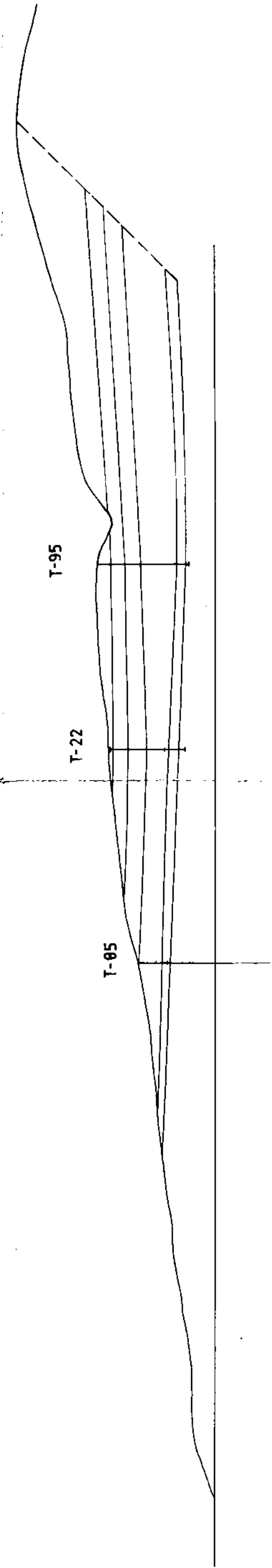
478

18-6ULLMPPSC 77 (2) A



1700  
1600  
1500  
1400  
1300  
1200  
METRES

1700  
1600  
1500  
1400  
1300  
1200  
METRES



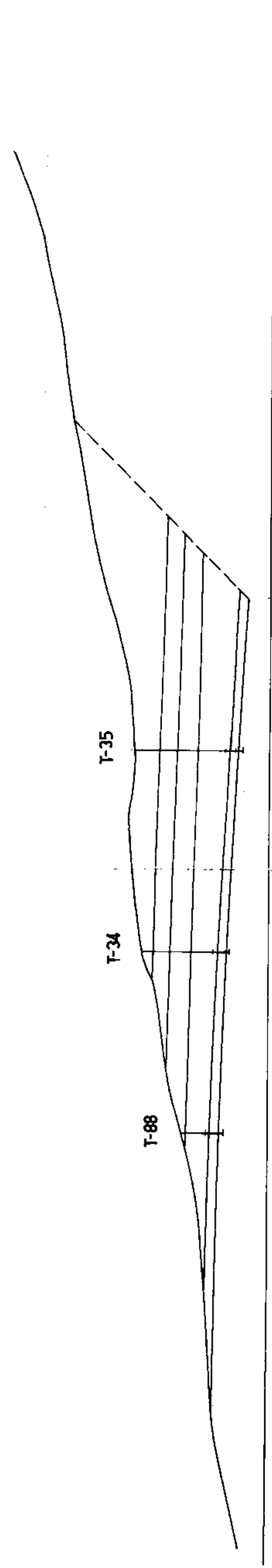
SECTION 6  
WEST FORK  
SCALE 1:5000

478

St. Lawrence 72(3)A

1700  
1600  
1500  
1400  
1300  
1200  
METRES

1700  
1600  
1500  
1400  
1300  
1200  
METRES



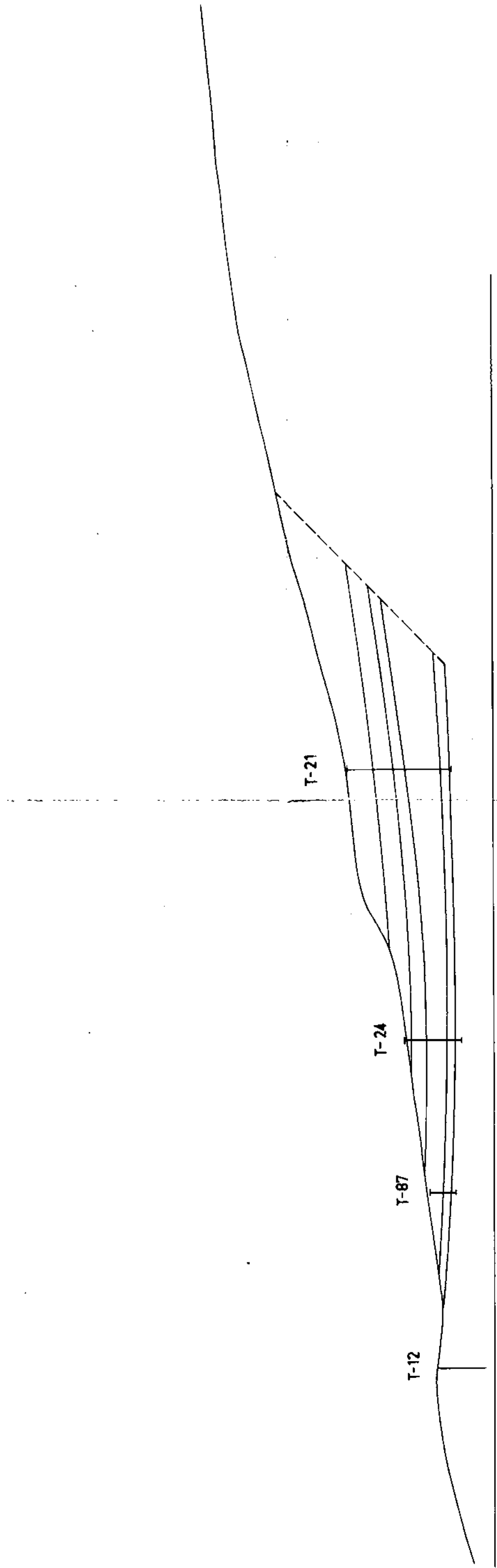
SECTION 7  
WEST FORK  
SCALE 1:5000

478

PL-6111111111 72(2)A

1700 —  
1600 —  
1500 —  
1400 —  
1300 —  
1200 —  
METRES

1700 —  
1600 —  
1500 —  
1400 —  
1300 —  
1200 —  
METRES



SECTION 8  
WEST FORK  
SCALE 1:5000

478

PR-Bullnose 7262A

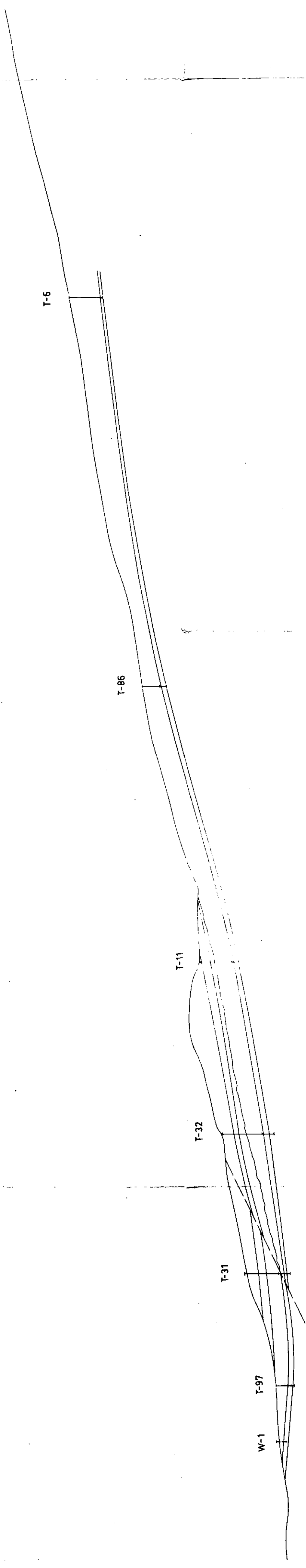
478

RS-24467005 E 72 (2) A

SECTION 9  
WEST FORK  
SCALE 1 : 5000

1700 —  
1600 —  
1500 —  
1400 —  
1300 —  
1200 —  
METRES

1700 —  
1600 —  
1500 —  
1400 —  
1300 —  
1200 —  
METRES



1700  
1600  
1500  
1400  
1300  
1200  
METRES

1700  
1600  
1500  
1400  
1300  
1200

T-61

T-62

T-63

T-98

SECTION 10  
WEST FORK  
SCALE 1:5000

478

R-Beulmore 77 (2)A

